

STK and STR INTEGRATED CIRCUITS



- Over 2200 Hybrid STK and STR Integrated Circuits
- Connection diagram
- Short description
- Electrical characteristics
- Cases drawings
- Direct replacement suggestion

2021 EDITION



STK and STR Integrated Circuits

databook

1. Introduction
2. Alpha-numeric index
3. STK integrated circuits
4. STR integrated circuits

INTRODUCTION

Due to the high parameters and reliability, the hybrid integrated circuits of the Sanyo **STK** family and Sanken **STR** family have a large applying in consumer and professional electronics equipments.

The functional set of STK integrated circuits family is very wide: power audio amplifiers, audio preamplifiers and graphic equalizers, switching and linear type voltage regulators, deflection processor, focus and convergente drivers for monitors and projection TV, motor drivers and other.

The Sanken (and Allegro affiliated manufacturer) hybrid integrated circuits of the STR family consists basically from switching and linear type voltage regulators, intended for applying in the TV and video cassette primare (high voltage) and secondare (low voltage) power supply.

In the accesible literature and in the Internet, the information about STK and STR integrated circuits is very dispersed, incompleted and consequently is not so easily accessible.

This book proposes the short but full presentation of the majority of STK and STR integrated circuits that exist on the market; presentation consisting from schematic diagrams (schematic of connections and (or) internal structure), short description and basic electrical characteristics.

The integrated circuits with the identical terminal configurations (and connection) are arranged in the same place. They are not specifically equivalent (replacements) with each other (can have to different electrical characteristics and (or) type of case); for detection of equivalent, in any situation it is necessary to consult a electrical characteristics list.

Replacements.

Not less than three manufacturers make a lot of integrated circuits which one are the complete pin-to-pin replacements compatible with STK and STR family circuits, but their order (marking) code does not coincide with the respective STK or STR circuits. These manufacturers are ECG Microsemi (a Philips USA subdivision (<http://www.ecgsemi.com>)) that marks it's circuits with **ECG** prefixes; NTE Electronis Inc. (<http://www.nteinc.com>) that marks it's circuits with **NTE** prefixes and TCE (Thomson Consumer Electronics) that marks it's circuits with **SK** prefixes. In the book (appendix 2) we present the list of full equivalences of STK, STR, ECG, NTE and SK integrated circuits.

Important notice:

Sanyo company already transfered the semiconductor electronic components manufacturing to ON Semiconductor (<https://www.onsemi.com/>) company (USA).

Abbreviations used in the characteristics tables and schematics:

μCOM -	Microcomputer	NFB -	Negative feedback
AC -	Alternate Current	OC -	Oscillator Control
Adj -	Adjust, adjustable	OCP -	Over-Current Protection
B -	Bias	OLP	Overload protection
BPF -	Bandpass filter	Osc. -	Oscillator
B_w -	Bandwith (Hz-kHz)	Out -	Output
BTL	Bridge-Tied Load	OVP -	Over-Voltage Protection
CLK -	Clock	P_{out}max -	Maximal output power
CRT -	Cathode Ray Tube	PRC	Pulse Ratio Control
CTRL -	Controll	PWM	Puse Widht Modulation
Curr. -	Current	R, G, B -	Red, Green, Blue
DC -	Direct Current	RBDS -	Radio Broadcast Data System;
Det. -	Detector	rDS -	On-State Resistance
DRV -	Driver	RDS -	Radio Data System
D.Y. -	Deflection yoke	Ref. -	Reference (voltage)
ELP	External latch protection	Reg. -	Regulator
EMI -	ElectroMagnetic Interference	Rectif. -	Rectifier
FDBK -	Feedback	R_{nom} -	Nominal value of load impedance
Fosc -	Oscillation frequency	R_{in} -	Input impedance
GND -	Ground	Sync. -	Synchronization
Gv -	Voltage gain	SMPS -	Switching mode power supply
HL -	High Level (logic)	St-by	Stand-by
Id -	Drain Current	Sw -	Switch, switching
ID -	Identificator;	THD -	Total harmonic distorsion
I_{cc0} -	Quiescent power supply current	TSD -	Time Set During
I_{out}max -	Maximal output current	V_{cc}min -	Minimal supply voltage
INH -	Inhibit	V_{cc}max -	Maximal supply voltage
LL -	Low Level (logic)	V_{ds} -	Drain-Source Voltage
MON -	Monitor	UVLO -	Under-voltage lockout

ALPHA-NUMERIC INDEX

STK0025	4	STK075G	12	STK2040	102	STK3161B	108
STK0029	4	STK077	10	STK2050	102	STK3400A	108
STK0030	4	STK077G	12	STK2129	102	STK3400B	108
STK0035	4	STK078	10	STK2135	102	STK350-000	21
STK0039	4	STK078-105	10	STK2139	102	STK350-010	21
STK0040	4	STK078G	12	STK2145	102	STK350-020	21
STK0040II	5	STK080	10	STK2155	102	STK350-030	21
STK0045	4	STK080G	12	STK2230	105	STK350-040	21
STK0049	4	STK082	10	STK2240	105	STK350-050	21
STK0050	4	STK082-105	10	STK2250	105	STK350-200	23
STK0050II	5	STK082G	12	STK2260	105	STK350-210	23
STK0055	4	STK083	10	STK280-100	15	STK350-220	23
STK0059	4	STK083G	12	STK280-130	15	STK350-230	23
STK0060	4	STK084	10	STK282-100E	15	STK350-240	23
STK0060II	5	STK084G	12	STK282-140E	15	STK350-250	23
STK0070	4	STK085	10	STK282-170E	15	STK350-530TE	24
STK0070II	5	STK085-105	10	STK282-270A-E	16	STK390-120	24
STK0080	4	STK085G	12	STK290-100	16	STK390-910	25
STK0080II	5	STK086	10	STK290-130	16	STK391-020	25
STK0100	4	STK086G	12	STK301-020	16	STK391-110	25
STK0100II	5	STK1030	99	STK301-020A	16	STK391-120	26
STK0105	4	STK1035	100	STK301-020B	16	STK391-220	26
STK011	6	STK1039	100	STK301-060	16	STK392-010	26
STK013	6	STK1040	99	STK301-060A	16	STK392-020	26
STK014	7	STK1040II	101	STK301-060B	16	STK392-040	26
STK015	6	STK1045	100	STK301-090	18	STK392-110	27
STK016	6	STK1049	100	STK301-220	18	STK392-120	27
STK0177	10	STK1050	99	STK3041	106	STK392-150-E	27
STK018	7	STK1050II	101	STK3042	21	STK392-180	27
STK020	7	STK1055	100	STK3042II	21	STK392-210	27
STK021	7	STK1059	100	STK3042IIA	21	STK392-220	27
STK022	8	STK1060	99	STK3042III	21	STK392-560	27
STK024	7	STK1060II	101	STK3044	106	STK392-570	27
STK025	8	STK1070	99	STK3044II	106	STK392-910A	28
STK027	7	STK1070II	101	STK3056	107	STK393-110	29
STK0292	11	STK1080	99	STK3061	106	STK394-210	27
STK030	8	STK1080II	101	STK3062	21	STK394-220	27
STK031	7	STK1100II	101	STK3062II	21	STK394-250	27
STK032	8	STK181B	12	STK3062IIA	21	STK394-510	27
STK035	7	STK181C	12	STK3062III	21	STK396-010	29
STK0352	11	STK181D	12	STK3076	107	STK396-120	29
STK036	8	STK181E	12	STK3081	106	STK397-010	30
STK040	9	STK182B	13	STK3082	21	STK400-010	30
STK041	9	STK182C	13	STK3082II	21	STK400-020	30
STK043	9	STK182D	13	STK3082IIA	21	STK400-030	30
STK043-105	9	STK182E	13	STK3082III	21	STK400-040	30
STK0452	11	STK183B	13	STK3101	106	STK400-050	30
STK050	9	STK183C	13	STK3102II	21	STK400-060	30
STK054	10	STK184C	13	STK3102III	21	STK400-070	30
STK055	10	STK184D	13	STK311-010	19	STK400-080	30
STK056	10	STK185A	14	STK311-020	19	STK400-090	30
STK057	10	STK185B	14	STK311-050	19	STK400-100	30
STK058	10	STK190-010	14	STK3110M	20	STK400-110	30
STK060	10	STK190-020	14	STK311-110	20	STK400-210	30
STK062	10	STK2025	102	STK311-120	21	STK400-220	30
STK067	11	STK2029	102	STK3120M	21	STK400-230	30
STK070	9	STK2030	102	STK3122III	21	STK400-240	30
STK071	11	STK2038II	104	STK3152III	21	STK400-250	30
STK075	10	STK2038IV	103	STK3161	108	STK400-260	30

ALPHA-NUMERIC INDEX

STK400-270.....	30	STK402-070.....	33	STK4038II.....	110	STK405-120A.....	40
STK400-280.....	30	STK402-071.....	33	STK4038V.....	110	STK4065.....	112
STK400-290.....	30	STK402-090.....	33	STK4038X.....	110	STK4067.....	113
STK400-300.....	30	STK4020II.....	110	STK4038XI.....	110	STK407-040B.....	41
STK400-310.....	30	STK4021.....	109	STK404-050.....	38	STK407-050E.....	41
STK400-450.....	31	STK402-100.....	33	STK404-050S.....	38	STK407-070E.....	41
STK400-460.....	31	STK402-120.....	33	STK404-070.....	38	STK407-090E.....	41
STK400-470.....	31	STK402-220.....	33	STK404-070N-E.....	38	STK407-100E.....	41
STK400-480.....	31	STK402-230.....	33	STK404-070S.....	38	STK407-120E.....	41
STK400-490.....	31	STK402-240.....	33	STK404-090.....	38	STK407-130E.....	41
STK400-500.....	31	STK402-250.....	33	STK404-090S.....	38	STK407-240.....	41
STK400-510.....	31	STK402-270.....	33	STK4040II.....	110	STK407-250.....	41
STK400-520.....	31	STK4022II.....	110	STK4040V.....	110	STK407-270.....	41
STK400-530.....	31	STK4023.....	109	STK4040X.....	110	STK407-290.....	41
STK400-650.....	31	STK4024.....	110	STK4040XI.....	110	STK408-040E.....	42
STK400-660.....	31	STK402-480.....	34	STK404-100.....	38	STK408-050E.....	42
STK400-670.....	31	STK4024II.....	110	STK404-100S.....	38	STK408-070E.....	42
STK400-680.....	31	STK4024V.....	110	STK404-120.....	38	STK408-090E.....	42
STK400-690.....	31	STK4025.....	109	STK404-120S.....	38	STK408-230.....	43
STK400-700.....	31	STK4026.....	110	STK404-130.....	39	STK408-230M.....	43
STK400-710.....	31	STK402-680.....	34	STK404-130S.....	39	STK408-240.....	43
STK400-720.....	31	STK4026II.....	110	STK404-140.....	39	STK410-000.....	44
STK400-730.....	31	STK4026V.....	110	STK404-140S.....	39	STK410-010.....	44
STK401-010.....	32	STK4028.....	110	STK404-200-E.....	39	STK410-020.....	44
STK401-020.....	32	STK4028II.....	110	STK404-230-E.....	39	STK410-030.....	44
STK401-030.....	32	STK4028V.....	110	STK4042II.....	110	STK410-090.....	44
STK401-040.....	32	STK4028X.....	110	STK4042V.....	110	STK4100MK2.....	113
STK401-050.....	32	STK402-920.....	35	STK4042X.....	110	STK4100MK5.....	113
STK401-060.....	32	STK402-930.....	35	STK4042XI.....	110	STK4101.....	60
STK401-070.....	32	STK402-940.....	35	STK4044II.....	110	STK4101II.....	114
STK401-080.....	32	STK402-950.....	35	STK4044V.....	110	STK4101V.....	114
STK401-090.....	32	STK4029S.....	33	STK4044X.....	110	STK4102.....	60
STK401-100.....	32	STK403-030.....	35	STK4044XI.....	110	STK4102II.....	114
STK401-110.....	32	STK403-040.....	35	STK4046II.....	111	STK4102V.....	114
STK401-120.....	32	STK403-050.....	35	STK4046V.....	112	STK4110MK2.....	113
STK401-130.....	32	STK403-070.....	36	STK4046X.....	112	STK4110MK5.....	113
STK401-140.....	32	STK403-090.....	36	STK4046XI.....	112	STK4111.....	60
STK401-210.....	32	STK4030II.....	110	STK4048II.....	111	STK4111II.....	114
STK401-220.....	32	STK4030V.....	110	STK4048V.....	112	STK4111V.....	114
STK401-230.....	32	STK4030X.....	110	STK4048X.....	112	STK4112.....	60
STK401-240.....	32	STK403-100.....	36	STK4048XI.....	112	STK411-200E.....	43
STK401-250.....	32	STK403-120.....	36	STK405.....	40	STK411-210E.....	43
STK401-260.....	32	STK403-130.....	36	STK405-010.....	40	STK411-220E.....	43
STK401-270.....	32	STK403-240A.....	37	STK405-010A.....	40	STK411-230E.....	43
STK401-280.....	32	STK403-250A.....	37	STK405-030.....	40	STK411-240E.....	43
STK401-290.....	32	STK4032II.....	110	STK405-030A.....	40	STK411-290E.....	43
STK401-300.....	32	STK4032V.....	110	STK405-050.....	40	STK4112II.....	114
STK401-310.....	32	STK4032X.....	110	STK405-050A.....	40	STK4112V.....	114
STK401-320.....	32	STK403-430.....	37	STK405-070.....	40	STK411-550E.....	43
STK401-330.....	32	STK403-440.....	37	STK405-070A.....	40	STK4115G.....	43
STK401-340.....	32	STK403-450.....	37	STK405-090.....	40	STK412-000.....	44
STK4017.....	109	STK4034II.....	110	STK405-090A.....	40	STK412-010.....	44
STK4018II.....	110	STK4034V.....	110	STK4050II.....	112	STK412-020.....	44
STK4019.....	109	STK4034X.....	110	STK4050V.....	112	STK41203.....	44
STK402-020.....	33	STK4036.....	110	STK405-100.....	40	STK412-030.....	44
STK402-030.....	33	STK4036II.....	110	STK405-100A.....	40	STK412-040.....	44
STK40204.....	33	STK4036V.....	110	STK405-110.....	40	STK412-090.....	44
STK402-040.....	33	STK4036X.....	110	STK405-110A.....	40	STK4120MK2.....	113
STK402-050.....	33	STK4036XI.....	110	STK405-120.....	40	STK4120MK5.....	113

ALPHA-NUMERIC INDEX

STK4121	60	STK4141X	115	STK4174MK2	116	STK4215MK5	119
STK412-100	45	STK4142	60	STK4174MK5	116	STK4216MK10	115
STK412-150	45	STK4142II	114	STK4175MK2	116	STK4216X	115
STK412-150C-E	45	STK4142V	114	STK4175MK5	116	STK4219MK2	120
STK412-150M	45	STK4144MK2	116	STK4176X	115	STK4220MK2	113
STK41217	45	STK4144MK5	116	STK4179MK2	117	STK4220MK5	113
STK412-170	45	STK4145MK2	116	STK4180MK2	113	STK4221I	117
STK412-170C-E	45	STK4145MK5	116	STK4180MK5	113	STK4221V	118
STK4121II	114	STK415	46	STK4181	60	STK4224MK2	119
STK4121J	44	STK415-090E	48	STK4181II	114	STK4224MK5	119
STK4121V	114	STK4150MK2	113	STK4181V	114	STK4225MK2	119
STK4122	60	STK4150MK5	113	STK4181X	115	STK4225MK5	119
STK412-200	44	STK4151	60	STK4182	60	STK4229MK2	120
STK412-210	44	STK415-100E	48	STK4182II	114	STK4230MK2	113
STK412-220	44	STK415-120E	48	STK4182V	114	STK4230MK5	113
STK41223	44	STK415-130E	48	STK4184MK2	116	STK4231I	117
STK412-230	44	STK415-140E	48	STK4184MK5	116	STK4231V	118
STK412-240M	44	STK4151II	114	STK4185MK2	116	STK4234MK2	119
STK412-290	44	STK4151V	114	STK4185MK5	116	STK4234MK5	119
STK4122II	114	STK4151X	115	STK4186X	115	STK4235MK2	119
STK4122V	114	STK4152	60	STK4189MK2	117	STK4235MK5	119
STK412-410	44	STK4152II	114	STK4190MK2	113	STK4239MK2	120
STK41242	44	STK4152V	114	STK4190MK5	113	STK4241I	117
STK412-420	44	STK4154MK2	116	STK4191	60	STK4241V	118
STK412-430	44	STK4154MK5	116	STK419-110	49	STK425-050	49
STK41244	44	STK4155MK2	116	STK419-130	49	STK425-070	49
STK412-440	44	STK4155MK5	116	STK419-140	49	STK425-090	49
STK412-490	44	STK4159MK2	117	STK4191II	114	STK426-530	50
STK412-530	44	STK416-090E	48	STK4191V	114	STK4273	119
STK412-740E	46	STK4160MK2	113	STK4191X	115	STK4274	120
STK412-750E	46	STK4160MK5	113	STK4192	60	STK4275	121
STK412-770E	46	STK4161	60	STK4192II	114	STK4277	121
STK413	46	STK416-100E	48	STK4192V	114	STK4278	122
STK413-000	47	STK416-120E	48	STK4194MK2	116	STK4278-L	122
STK413-010	47	STK416-130E	48	STK4194MK5	116	STK428-430	52
STK413-020	47	STK4161I	114	STK4195MK2	116	STK428-610A	50
STK413-030	47	STK4161V	114	STK4195MK5	116	STK428-610-E	50
STK413-090	47	STK4161X	115	STK4196MK10	115	STK428-630	50
STK4130MK2	113	STK4162	60	STK4196X	115	STK428-640	50
STK4130MK5	113	STK4162II	114	STK4199MK2	117	STK430	46
STK4131	60	STK4162V	114	STK4200MK2	113	STK4301	122
STK4131II	114	STK4164MK2	116	STK4200MK5	113	STK430II	46
STK4131V	114	STK4164MK5	116	STK4201II	117	STK430III	46
STK4132	60	STK4165MK2	116	STK4201V	118	STK4311	122
STK413-200	47	STK4165MK5	116	STK4201X	115	STK43205	51
STK413-210	47	STK4169MK2	117	STK4204MK2	119	STK432-050	51
STK413-220	47	STK417-090	43	STK4204MK5	119	STK432-070	51
STK413-230	47	STK4170MK2	113	STK4205MK2	119	STK432-090	51
STK413-290	47	STK4170MK5	113	STK4205MK5	119	STK432-420	44
STK4132II	114	STK4171	60	STK4206X	115	STK433	46
STK4132V	114	STK417-100	43	STK4209MK2	120	STK433-030	52
STK413-400	47	STK417-120	43	STK4210MK2	113	STK433-030-E	52
STK413-420	47	STK417-130	43	STK4210MK5	113	STK433-040	52
STK413-430	47	STK4171I	114	STK4211I	117	STK433-040-E	52
STK4140MK2	113	STK4171V	114	STK4211V	118	STK433-040N-E	52
STK4140MK5	113	STK4171X	115	STK4211X	115	STK433-060	52
STK4141	60	STK4172	60	STK4214MK2	119	STK433-060-E	52
STK4141II	114	STK4172II	114	STK4214MK5	119	STK433-060N-E	52
STK4141V	114	STK4172V	114	STK4215MK2	119	STK433-070	52

ALPHA-NUMERIC INDEX

STK433-070-E	52	STK442-130	56	STK499-220E	43	STK5441	132
STK433-090	52	STK443	46	STK499-230E	43	STK5443	132
STK433-090-E	52	STK443-050	57	STK499-240E	43	STK5446	132
STK433-100	52	STK443-070	57	STK499-290E	43	STK544UC62K-E	66
STK433-100-E	52	STK443-090	57	STK521	62	STK544UC63K-E	67
STK433-105	46	STK4432	123	STK522	62	STK5451	132
STK433-120	52	STK45303	56	STK523	62	STK5461	133
STK433-120-E	52	STK453-030	56	STK531	62	STK5461ST	133
STK433-130	52	STK453-030A	56	STK5314	124	STK5462	133
STK433-130-E	52	STK453-060	56	STK531U369A-E	64	STK5464	134
STK433-130N-E	52	STK457	57	STK531U394A-E	64	STK5466	134
STK4332	123	STK459	57	STK532	62	STK5466ST	134
STK433-230	53	STK460	57	STK5321	124	STK5467	135
STK433-230A-E	53	STK461	57	STK5322	124	STK5468	135
STK433-240	53	STK463	57	STK5322HSL	124	STK5468S	135
STK433-240A-E	53	STK465	57	STK5324	124	STK5471	134
STK433-260	53	STK470-010	58	STK5325	124	STK5472	135
STK433-260A-E	53	STK470-020	58	STK5326	125	STK5473	136
STK433-270	53	STK470-020A	58	STK5327	125	STK5474	136
STK433-270A-E	53	STK470-040	58	STK533	62	STK5476	134
STK433-290	53	STK470-050	59	STK5331	125	STK5477	136
STK433-290-E	53	STK470-050A	59	STK5332	125	STK5479	137
STK433-300	53	STK470-070	60	STK5333	126	STK5481	137
STK433-300-E	53	STK470-080	60	STK5335	126	STK5482	137
STK433-320	53	STK470-090	60	STK5336	127	STK5486	138
STK433-320-E	53	STK475-010	59	STK5337	126	STK5490	138
STK433-330	53	STK4773	123	STK5338	126	STK551U362A-E	64
STK433-330-E	53	STK4793	123	STK5339B	126	STK551U392A-E	64
STK433-330N-E	53	STK4803	123	STK5340	127	STK551U3A2A-E	64
STK433-730-E	54	STK4813	123	STK5342	125	STK554U362A-E	64
STK433-760-E	54	STK4833	123	STK5343	125	STK554U362C-E	64
STK433-840N-E	55	STK4843	123	STK5346	127	STK554U392A-E	64
STK433-870N-E	55	STK4853	123	STK534U342C-E	64	STK554U392C-E	64
STK433-890N-E	55	STK4863	123	STK534U362C-E	64	STK561F	63
STK433-930	55	STK4873	123	STK5352	128	STK563	63
STK433-940	55	STK48801	60	STK5353	128	STK5632D	139
STK433-960	55	STK488-010	60	STK5361	128	STK5633A	139
STK433-970	55	STK488-020	60	STK5362	128	STK563A	63
STK433A	46	STK488-050	60	STK5364	128	STK563F	63
STK435	46	STK4893	123	STK5371	129	STK571F	63
STK435-105	46	STK490-040	61	STK5372	129	STK57FU394AG-E	67
STK4352	123	STK490-070	61	STK5372H	129	STK581U3C2D-E	71
STK435A	46	STK490-090	61	STK5381	129	STK583	63
STK436	46	STK490-110	61	STK5383	130	STK583F	63
STK436-105	46	STK490-140	61	STK5391	130	STK583FST	63
STK4362	123	STK490-220	61	STK5392	130	STK5C4U332J-E	68
STK436A	46	STK490-310	61	STK541	62	STK5F1U3E2D-E	68
STK437	46	STK490-340	61	STK541UC60C-E	65	STK5F4U3E2D-E	69
STK4372	123	STK4913	123	STK541UC62A-E	65	STK5MFU3C1A-E	69
STK439	46	STK496-070	41	STK541UC62K-E	66	STK5Q4U352J-E	70
STK4392	123	STK496-090	41	STK542	62	STK5Q4U362J-E	70
STK441	46	STK496-220	43	STK5421	131	STK6103	139
STK441-105	46	STK496-420Y	43	STK5422	131	STK6105	139
STK4412	123	STK496-430	43	STK543	62	STK611-721-E	72
STK442-040	56	STK496-620Y	44	STK5431	131	STK6153	140
STK442-070	56	STK496-630	44	STK5431SL	131	STK621-015	72
STK442-090	56	STK499-040	62	STK5431ST	131	STK621-017	72
STK442-110	56	STK499-070	62	STK5434	131	STK621-018	72
STK442-120	56	STK499-090	62	STK5436	131	STK621-031	71

ALPHA-NUMERIC INDEX

STK621-041	71	STK672-040-E	74	STK681-070	85	STK6982H	151
STK621-041A-E	71	STK672-050	74	STK681-200	85	STK6982HII	151
STK621-043A-E	73	STK672-060	74	STK681-200-E	85	STK711-410	89
STK621-051	71	STK672-070	75	STK681-210-E	85	STK711-420	89
STK621-061A-E	71	STK672-080	75	STK681-300	86	STK711-430	89
STK621-061-E	71	STK6720H	145	STK681-310	86	STK711-440	89
STK621-140B-E	66	STK672-110	76	STK681-310N-E	86	STK711-450	89
STK621-150A-E	66	STK672-120	76	STK681-320	86	STK711-460	89
STK621-150B-E	66	STK6721H	145	STK681-332-E	86	STK711-470	89
STK6215	140	STK672-210	77	STK681-352-E	87	STK711-480	89
STK6217	140	STK672-220	77	STK681-360-E	87	STK711-490	89
STK628-120-E	73	STK6722H	145	STK682-010-E	87	STK711-510	89
STK628-130-E	73	STK672-311	78	STK683	88	STK711-520	89
STK6325A	141	STK672-330	78	STK6855	146	STK711-530	89
STK6325B	141	STK672-340	78	STK6865H	147	STK711-540	89
STK6325C	142	STK672-350	78	STK6875	147	STK711-550	89
STK6327A	142	STK672-360-E	78	STK6877	147	STK711-560	89
STK6327B	142	STK672-400	79	STK6932	148	STK711-570	89
STK6328A	143	STK672-410	79	STK6940	148	STK711-580	89
STK6351	143	STK672-430A-E	80	STK6941	148	STK711-590	89
STK65010II	161	STK672-430AN-E	80	STK6942	148	STK7216S	152
STK65020II	161	STK672-432A-E	80	STK6950	148	STK7217	152
STK65030	161	STK672-432AN-E	80	STK6951	148	STK7221	152
STK65030II	161	STK672-432BN-E	80	STK6952	148	STK7231	153
STK65040	161	STK672-440A-E	80	STK6960	149	STK7241	153
STK65040II	161	STK672-440AN-E	80	STK6960H	149	STK7253	153
STK65050	161	STK672-440BN-E	80	STK6961	149	STK730-010	88
STK65050II	161	STK672-442A-E	80	STK6961H	149	STK730-020	88
STK65060	161	STK672-442AN-E	80	STK6962	149	STK730-030	88
STK65060II	161	STK672-442B-E	80	STK6962C	149	STK730-040	88
STK655	73	STK672-442BN-E	80	STK6962CL	149	STK730-050	88
STK6601	144	STK672-530	78	STK6962H	149	STK730-060	88
STK6603	144	STK672-540	78	STK6965	150	STK730-070	88
STK6605	144	STK672-580	80	STK6965H	150	STK730-080	88
STK6607	144	STK672-590	80	STK6966	150	STK730-090	88
STK66083P	162	STK672-600	81	STK6966H	150	STK730-120	88
STK6621	144	STK672-610	81	STK6967	150	STK730-130	88
STK6623	144	STK672-612B-E	82	STK6967H	150	STK730-140	88
STK6625	144	STK672-630A-E	82	STK6968	150	STK730-150	88
STK669	74	STK672-630AN-E	82	STK6970	150	STK7302	154
STK6711AMK3	144	STK672-630CN-E	82	STK6970H	150	STK7308	154
STK6711AMK4	144	STK672-632A-E	82	STK6971	150	STK7309	154
STK6711BMK3	144	STK672-632AN-E	82	STK6971H	150	STK730B	91
STK6711BMK4	144	STK672-640A-E	82	STK6972	150	STK730C	91
STK6712AMK3	144	STK672-640CN-E	82	STK6972C	150	STK730D	91
STK6712AMK4	144	STK672-642A-E	82	STK6972H	150	STK7310	154
STK6712BMK3	144	STK672-642AN-E	82	STK6980	151	STK7312	154
STK6712BMK4	144	STK672-730A-E	83	STK6980B	151	STK731B	91
STK6713AMK3	144	STK672-732A-E	83	STK6980BII	151	STK731C	91
STK6713AMK4	144	STK672-732AN-E	83	STK6980H	151	STK732B	91
STK6713BMK3	144	STK672-740A-E	83	STK6980HII	151	STK732C	91
STK6713BMK4	144	STK672-740AN-E	83	STK6981	151	STK733B	91
STK6714AMK3	144	STK672-742A-E	83	STK6981B	151	STK733C	91
STK6714AMK4	144	STK673-010	84	STK6981BII	151	STK73410II	155
STK6714BMK3	144	STK673-011	84	STK6981H	151	STK7344	155
STK6714BMK4	144	STK673-011-E	84	STK6981HII	151	STK7348	155
STK672-010	75	STK6772	146	STK6982	151	STK7356	155
STK672-020	75	STK681-050	85	STK6982B	151	STK7358	155
STK672-040	74	STK681-060	85	STK6982BII	151	STK7360	155

ALPHA-NUMERIC INDEX

STK73605I	162	STK7575A	159	STR30123	185	STR3A475HDL	169
STK73606I	162	STK7575B	159	STR30125	185	STR40090	186
STK7362	155	STK760	89	STR30130	185	STR40115	187
STK73901	163	STK760-211C-E	94	STR30134	185	STR41090	187
STK73902	163	STK760-213A-E	95	STR30135	185	STR4211	176
STK73903	163	STK760-216-E	95	STR3015	175	STR440	166
STK73904	163	STK760-220A-E	96	STR3023	175	STR441	166
STK73905	163	STK760-221A-E	96	STR3025	175	STR4412	176
STK73906	163	STK760-710A-E	96	STR3030	175	STR442	166
STK73907	163	STK760-712A-E	96	STR3035	175	STR450	167
STK73908	163	STK761	89	STR3110	175	STR451	167
STK73909	163	STK762	89	STR3113	175	STR452	167
STK7402	156	STK770	97	STR3115	175	STR453	167
STK7404	156	STK772B	97	STR3120	175	STR454	167
STK740-411	92	STK78501	164	STR3123	175	STR455	167
STK740-420	92	STK78603	164	STR3125	175	STR456A	168
STK740-441	92	STK792-110	97	STR3127	175	STR470A	168
STK740-450	92	STK792-210	98	STR3130	175	STR4A162D	170
STK740-470	92	STK79315A	164	STR3135	175	STR4A162S	170
STK740-471	92	STK795	98	STR3215	175	STR4A164D	170
STK740-480	92	STK795-010	98	STR3225	175	STR4A164HD	170
STK740-490	92	STK79901	165	STR3230	175	STR50020	188
STK7406	156	STK79905B	165	STR3235	175	STR50041	188
STK7408	156	STK8020	159	STR370	166	STR50103A	189
STK7410	156	STK8030	159	STR371	166	STR50115B	190
STK743B	92	STK8040	159	STR380	166	STR50155	190
STK7452	157	STK8050	159	STR381	166	STR5020	177
STK7458	157	STK8060	159	STR382	166	STR50203M	189
STK750-010	93	STK8250	160	STR383	166	STR50330	188
STK752	89	STK8250II	160	STR384	166	STR5100	177
STK755-030	93	STK8260	160	STR385	166	STR51041	188
STK755-110	94	STK8260II	160	STR3A151	169	STR51203M	190
STK755-170	94	STK8270	160	STR3A151D	169	STR51402M	190
STK7554	157	STK8270II	160	STR3A152	169	STR51404M	190
STK756	89	STK8280	160	STR3A152D	169	STR51424M	190
STK7561A	158	STK8280II	160	STR3A153	169	STR52100A	188
STK7561F	158	STR10006	183	STR3A153D	169	STR53041	188
STK7561G	158	STR11006	183	STR3A154	169	STR53043	188
STK7561J	158	STR12006	184	STR3A154D	169	STR53103B	189
STK7561L	158	STR13006	184	STR3A155	169	STR54041	188
STK7562A	158	STR14006	184	STR3A155D	169	STR5412	177
STK7562F	158	STR15006	184	STR3A161HD	169	STR56041	188
STK7562G	158	STR16006	184	STR3A162HD	169	STR57041	188
STK7562J	158	STR17006	184	STR3A163HD	169	STR5707	178
STK7562L	158	STR20005	184	STR3A251	169	STR5708	178
STK7563A	158	STR2005	174	STR3A251D	169	STR5717	178
STK7563F	158	STR2012	174	STR3A253	169	STR58041	188
STK7563FE	158	STR2013	174	STR3A253D	169	STR58330-M	191
STK7563G	158	STR2015	174	STR3A255	169	STR59041	188
STK7563J	158	STR2024	174	STR3A255D	169	STR5A162D	171
STK7563L	158	STR212	166	STR3A451	169	STR5A164D	171
STK7565A	158	STR2W152D	168	STR3A451D	169	STR5A451D	171
STK7565F	158	STR2W153D	168	STR3A453	169	STR5A453D	171
STK7571A	159	STR3010	175	STR3A453D	169	STR5A464D	172
STK7571B	159	STR30110	185	STR3A455	169	STR5A464S	173
STK7572A	159	STR30112	185	STR3A455D	169	STR6135T	179
STK7572B	159	STR30113	185	STR3A461HDL	169	STR6307	179
STK7573A	159	STR30115	185	STR3A462HDL	169	STR6309	179
STK7573B	159	STR30120	185	STR3A463HDL	169	STR6456	181

ALPHA-NUMERIC INDEX

STR6458	181	STR-A6131M	193	STR-E1555	202	STR-G6551	207
STR6652	181	STR-A6132	193	STR-E1565	202	STR-G6622	207
STR6654	181	STR-A6151	193	STR-F6138	203	STR-G6623	207
STR6656	181	STR-A6151M	193	STR-F6168	203	STR-G6624	207
STR6707	180	STR-A6153E	193	STR-F6229	203	STR-G6632	207
STR6708	180	STR-A6159	193	STR-F6238	203	STR-G6651	207
STR6709	180	STR-A6159M	193	STR-F6264S	203	STR-G6652	207
STR6754	181	STR-A6169	193	STR-F6267S	203	STR-G6653	207
STR6756	181	STR-A6251	194	STR-F6268S	203	STR-G8654A	207
STR6A153MV	174	STR-A6251M	194	STR-F6424S	203	STR-G8656	207
STR6A161HVD	174	STR-A6252	194	STR-F6426S	203	STR-G9626	207
STR6A161HZ	174	STR-A6252M	194	STR-F6428S	203	STR-G9628	207
STR6A163HVD	174	STR-A6259H	194	STR-F6454	203	STR-G9656	207
STR6A163HZ	174	STR-A6259M	194	STR-F6456	203	STR-H2013	208
STR6A169HVD	174	STR-A6269H	194	STR-F6467	203	STR-H3435	209
STR6A169HZ	174	STR-A6269M	194	STR-F6468	203	STR-H7224	210
STR7001	182	STR-A6331	196	STR-F6502	203	STR-L451	211
STR7002	182	STR-A6351	196	STR-F6511	203	STR-L472	211
STR7003	182	STR-A6359	196	STR-F6512	203	STR-L474	211
STR7101	182	STR-A6372	196	STR-F6513	203	STR-L6452	211
STR7102	182	STR-B5051	196	STR-F6514	203	STR-L6472	211
STR7103	182	STR-B5052	196	STR-F6516	203	STR-M6329	212
STR729	166	STR-B5053	196	STR-F6523	203	STR-M6511	212
STR80145A	191	STR-B5054	196	STR-F6524	203	STR-M6515	212
STR81145A	191	STR-B5055	196	STR-F6535	203	STR-M6529	212
STR81159A	191	STR-B5056	196	STR-F6537	203	STR-M6529F	212
STR82145	191	STR-B5057	196	STR-F6548	203	STR-M6547	212
STR83145	191	STR-B5058	196	STR-F6552	203	STR-M6549	212
STR83146	191	STR-B5059	196	STR-F6553	203	STR-M6559	212
STR83159	191	STR-B5451	197	STR-F6612	203	STR-M6811A	212
STR84145	191	STR-B5452	197	STR-F6614	203	STR-M6831AF	212
STR84146	191	STR-B5453	197	STR-F6616	203	STR-S5041S	213
STR9005	182	STR-B5454	197	STR-F6624	203	STR-S5141G	214
STR90050	193	STR-B5455	197	STR-F6626	203	STR-S5703	178
STR90090	193	STR-B5456	197	STR-F6628	203	STR-S5706	214
STR9012	182	STR-B5457	197	STR-F6629B	203	STR-S5707	178
STR90120	193	STR-B5458	197	STR-F6632	203	STR-S5708	178
STR9015	182	STR-B5459	197	STR-F6652	203	STR-S5741	214
STR90150	193	STR-D1005T	198	STR-F6653	203	STR-S5941	214
STR9024	182	STR-D1816	198	STR-F6654	203	STR-S6301	215
STR-A6051M	192	STR-D3010	185	STR-F6655	203	STR-S6301A	215
STR-A6052M	192	STR-D3012	185	STR-F6656	203	STR-S6307	179
STR-A6053M	192	STR-D3013	185	STR-F6656L	203	STR-S6308	179
STR-A6059H	192	STR-D3015	185	STR-F6658B	203	STR-S6309	179
STR-A6061H	192	STR-D3020	185	STR-F6667B	203	STR-S6401	216
STR-A6061HD	192	STR-D3023	185	STR-F6668	203	STR-S6401F	216
STR-A6061HZ	192	STR-D3025	185	STR-F6672	203	STR-S6411	216
STR-A6061MZ	192	STR-D3030	185	STR-F6674	203	STR-S6411F	216
STR-A6062H	192	STR-D3034	185	STR-F6676	203	STR-S6513	216
STR-A6062HD	192	STR-D3035	185	STR-F6707	203	STR-S6525	217
STR-A6063HD	192	STR-D5095A	186	STR-F9656	205	STR-S6545	216
STR-A6063HZ	192	STR-D6004	199	STR-G5551	206	STR-S6703	180
STR-A6063MZ	192	STR-D6008	199	STR-G5624	206	STR-S6704	180
STR-A6069H	192	STR-D6009E	199	STR-G5653	206	STR-S6707	180
STR-A6069HD	192	STR-D6108	199	STR-G5853	207	STR-S6708	180
STR-A6069HZ	192	STR-D6601	201	STR-G6153T	207	STR-S6709	180
STR-A6069MZ	192	STR-D6602	201	STR-G6351	207	STR-T2224	218
STR-A6079M	192	STR-D6801	200	STR-G6352	207	STR-T2268	218
STR-A6131	193	STR-D6802	200	STR-G6353	206	STR-T2268H	218

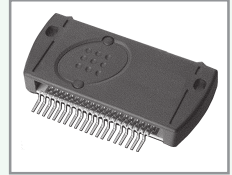
ALPHA-NUMERIC INDEX

STR-V152	219	STR-Z2151	228	ECG1324	9	ECG1871	114
STR-V153	219	STR-Z2152	229	ECG1325	9	ECG1872	137
STR-V653	219	STR-Z2154	229	ECG1326	10	ECG1874	114
STR-W5753A	220	STR-Z2156	229	ECG1327	10	ECG1875	105
STR-W5754	220	STR-Z2156A	229	ECG1328	10	ECG1876	131
STR-W6051S	221	STR-Z2527	230	ECG1329	46	ECG1877	122
STR-W6052S	221	STR-Z2586	230	ECG1330	57	ECG1878	21
STR-W6053S	221	STR-Z2587	230	ECG1331	57	ECG1879	119
STR-W6251	222	STR-Z2588	230	ECG1332	7	ECG1880	125
STR-W6251D	222	STR-Z2589	230	ECG1333	4	ECG1881	134
STR-W6252	222	STR-Z3201	231	ECG1334	5	ECG1882	110
STR-W6252D	222	STR-Z4151	232	ECG1335	5	ECG1883	129
STR-W6253	222	STR-Z4201	232	ECG1336	9	ECG1884	137
STR-W6253D	222	STR-Z4202A	233	ECG1337	10	ECG1885	145
STR-W6654	222	STR-Z4267	233	ECG1338	21	ECG1886	177
STR-W6723N	223	STR-Z4316	233	ECG1339	21	ECG7021	156
STR-W6734	223	STR-Z4317	233	ECG1340	10	ECG7022	134
STR-W6735	223	STR-Z4369	233	ECG1341	10	ECG7023	134
STR-W6735N	223	STR-Z4479	233	ECG1342	4	ECG7024	127
STR-W6750F	223	STR-Z4567	233	ECG1343	46	ECG7025	155
STR-W6753	223	STR-Z4569	233	ECG1344	46	ECG7026	128
STR-W6754	223	STR-Z4579	233	ECG1345	57	ECG7027	133
STR-W6754L	223	C0DAZYY00028	192	ECG1346	4	ECG7028	135
STR-W6756	223	C5AA00000107	26	ECG1347	57	ECG7029	117
STR-W6756N	223	C5AA00000196	27	ECG1356	102	ECG7030	110
STR-W6765	223	C5BA00000105	60	ECG1357	99	ECG7031	110
STR-W67652E	223	C5HABZZ00007	203	ECG1358	99	ECG7032	112
STR-W6765N	223	C5HABZZ00014	203	ECG1359	46	ECG7033	155
STR-W6851	224	C5HABZZ00051	185	ECG1360	99	ECG7034	136
STR-W6852	224	C5HABZZ00062	188	ECG1546	166	ECG7035	125
STR-W6853	224	C5HABZZ00080	203	ECG1548	166	ECG7036	126
STR-W6854	224	C5ZAZ0000083	54	ECG1553	166	ECG7037	128
STR-W6856	224	EA33X8351	6	ECG1644	168	ECG7038	138
STR-X6468N	225	ECG1024	6	ECG1645	166	ECG7074	136
STR-X6729	225	ECG1025	7	ECG1646	166	ECG7075	154
STR-X6737	225	ECG1027	6	ECG1719	166	ECG7076	156
STR-X6737M	225	ECG1028	10	ECG1732	63	ECG7125	88
STR-X6750B	225	ECG1090	8	ECG1733	131	ECG7126	88
STR-X6750F	225	ECG1139	7	ECG1734	132	GEIC-330	46
STR-X6756	225	ECG1148	8	ECG1735	132	GEIC-331	46
STR-X6757	225	ECG1212	6	ECG1736	151	HLX1402R	6
STR-X6757N	225	ECG1218	46	ECG1737	158	IRAM136-0760A	64
STR-X6759	225	ECG1219	46	ECG1740	175	IRAM136-1060A	64
STR-X6759B	225	ECG1220	46	ECG1741	175	IRAM136-1060B	64
STR-X6759F	225	ECG1252	7	ECG1742	175	IRAM136-1060BS	64
STR-X6759N	225	ECG1274	7	ECG1743	175	IRAM136-1061A	64
STR-X6768N	225	ECG1279	4	ECG1748	149	IRAM136-1561A	64
STR-X6769	225	ECG1280	4	ECG1815	110	IRAM136-3023B	71
STR-X6769B	225	ECG1281	4	ECG1816	114	IRAM136-3063B	71
STR-Y6453	226	ECG1282	4	ECG1817	114	IRAM256-1067A	64
STR-Y6456	226	ECG1315	114	ECG1818	114	IRAM256-1567A	64
STR-Y6473	226	ECG1316	114	ECG1819	114	IRAM256-2067A	64
STR-Y6476	226	ECG1317	114	ECG1820	123	IRAMS06UP60A	72
STR-Y6735	227	ECG1318	124	ECG1821	134	IRAMS06UP60B	66
STR-Y6753	227	ECG1319	109	ECG1822	134	IRAMS10UP60A	67
STR-Y6754	227	ECG1320	4	ECG1823	138	IRAMS10UP60B	66
STR-Y6763	227	ECG1321	4	ECG1824	148	IRAMS12UP60A	67
STR-Y6765	227	ECG1322	4	ECG1825	150	IRAMX16UP60A	67
STR-Y6766	227	ECG1323	6	ECG1870	154	IRAMX16UP60B	66

ALPHA-NUMERIC INDEX

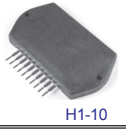
IRAMX20UP60A	67	NTE1356	102	PAC008A	110	SK9890	114
IRAMX30TP60A	67	NTE1358	99	PAC009A	117	SK9891	110
IRAMY20UP60B	71	NTE1359	46	PAC010A	43	SK9892	114
IRIS-A6131	193	NTE15012	175	PAC011A	44	SK9893	114
IRIS-A6151	193	NTE15018	175	PAC012A	43	SK9897	114
IRIS-A6159	193	NTE15019	175	PAC013A	44	SK9898	150
IRIS-A6331	196	NTE15020	175	PAC10A	43	SK9902	134
IRIS-A6351	196	NTE15021	175	PAC11A	44	SK9987	99
IRIS-A6359	196	NTE15031	119	RH-IX1089A	10	SK9994	175
IRIS-A6372	196	NTE15034	117	RH-IX1112	114	SK9995	175
IRIS-F6426S	203	NTE1644	168	SK10007	4	SK9996	175
IRIS-F6428S	203	NTE1645	166	SK10029	151	SK9997	21
IRIS-F6454R	203	NTE1733	131	SK10030	158	SK9998	57
IRIS-F6456S	203	NTE1734	132	SK10086	177		
IRIS-G5624A	206	NTE1735	132	SK10140	114		
IRIS-G5653	206	NTE1736	151	SK10141	114		
IRIS-G6351S	207	NTE1737	158	SK10161	154		
IRIS-G6353	206	NTE1740	175	SK10164	137		
IRIS-G6623	207	NTE1741	175	SK10166	105		
IRIS-G6624	207	NTE1742	175	SK10168	122		
IRIS-G6651	207	NTE1743	175	SK10169	119		
IRIS-G6653	206	NTE1748	149	SK10170	125		
IRIS-W6753	223	NTE1776	185	SK10171	134		
IRIS-W6756	223	NTE1777	185	SK10172	110		
IRIS-X6757	225	NTE1778	185	SK10173	129		
IX1112	114	NTE1796	188	SK10174	137		
JCV8007	44	NTE1815	110	SK10175	145		
JCV8008	47	NTE1816	114	SK10490	168		
NTE1024	6	NTE1817	114	SK10491	166		
NTE1027	6	NTE1818	114	SK10492	166		
NTE1028	10	NTE1819	114	SK3152	6		
NTE1139	7	NTE1820	123	SK3154	6		
NTE1218	46	NTE1821	134	SK3155	7		
NTE1219	46	NTE1822	134	SK3435	10		
NTE1274	7	NTE1823	138	SK3436	10		
NTE1281	4	NTE1824	148	SK3740	46		
NTE1282	4	NTE1825	150	SK3741	46		
NTE1315	114	NTE1839	185	SK3972	46		
NTE1316	114	NTE1840	188	SK4815	109		
NTE1317	114	NTE7140	122	SK7646	166		
NTE1318	124	NTE7152	189	SK7647	166		
NTE1320	4	NTE7166	203	SK7659	10		
NTE1323	6	NTE7178	27	SK7660	10		
NTE1326	10	NTE7179	26	SK7661	4		
NTE1327	10	NTE7180	26	SK7662	5		
NTE1328	10	NTE7181	26	SK7703	63		
NTE1329	46	NTE7187	120	SK7720	166		
NTE1330	57	NTE7211	33	SK7809	131		
NTE1331	57	NTE7212	33	SK7811	132		
NTE1333	4	NTE7220	44	SK7817	175		
NTE1336	9	NTE7224	223	SK8988	148		
NTE1337	10	PA301	7	SK9189	57		
NTE1338	21	PA400	8	SK9406	57		
NTE1339	21	PA401	8	SK9757	21		
NTE1340	10	PA500	8	SK9760	63		
NTE1343	46	PA500X	8	SK9761	63		
NTE1344	46	PA501	8	SK9762	149		
NTE1345	57	PA501X	8	SK9849	21		
NTE1347	57	PAC007A	118	SK9889	123		

SECTION 1
STK Integrated Circuits

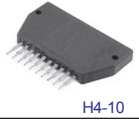


Power audio amplifier output stage

STK0025	STK0050	ECG1279	ECG1342
STK0029	STK0055	ECG1280	ECG1346
STK0030	STK0059	ECG1281	NTE1281
STK0035	STK0060	ECG1282	NTE1282
STK0039	STK0070	ECG1320	NTE1320
STK0040	STK0080	ECG1321	NTE1333
STK0045	STK0100	ECG1322	SK7661
STK0049	STK0105	ECG1333	SK10007



H1-10



H4-10



H6-10



H8-10

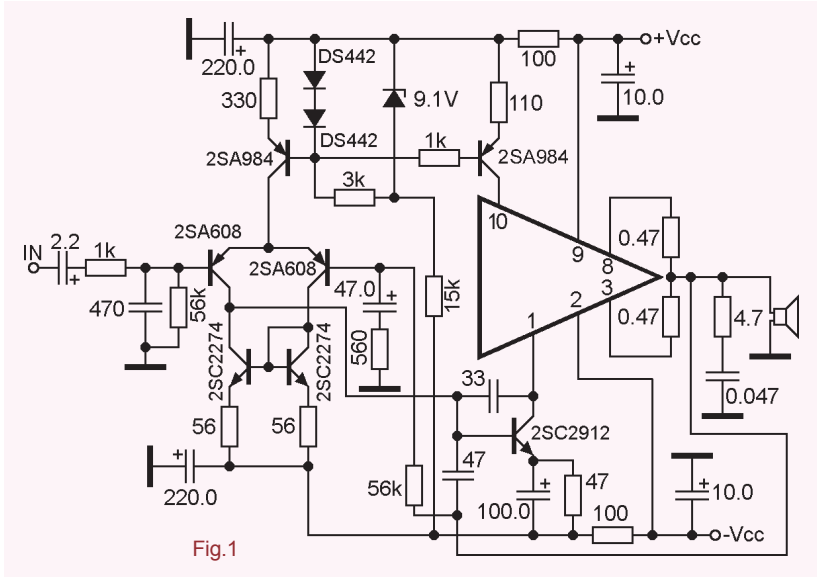


Fig.1

Applications:

- Hi-Fi home audio stereo systems

Features:

- Pin-to-pin compatible types in various cases with variable electrical characteristics
- Dual (bipolar, symmetrical) power supply
- Full complementary Darlington transistors paralleled output
- 20-100W output power
- Typ. 0.1% THD
- Designed to drive 8Ω loads

Fig.1 shows a application with discrete input stage

Type	Case	U _{ccmin}	U _{ccmax}	I _{cc0}	I _{outmax}	P _{outmax}	R _{inom}	B _w	THD	G _v	Mnf
STK0025	H4-10	±23V	±35V	40mA	3A	23W	8Ω	20Hz-20kHz	0.1%	40dB	San
STK0029	H4-10	±24V	±37V	40mA	3.5A	25W	8Ω	20Hz-20kHz	0.1%	40dB	San
STK0030	H4-10	±26V	±40V	40mA	4A	30W	8Ω	20Hz-20kHz	0.1%	40dB	San
STK0035	H6-10	±26V	±40V	40mA	4A	30W	8Ω	20Hz-20kHz	0.1%	40dB	San
STK0039	H6-10	±28V	±45V	40mA	5A	35W	8Ω	20Hz-20kHz	0.1%	40dB	San
STK0040	H4-10	±31V	±48V	40mA	5A	40W	8Ω	20Hz-20kHz	0.1%	40dB	San
STK0045	H4-10	±31V	±48V	40mA	5A	40W	8Ω	20Hz-20kHz	0.1%	40dB	San
STK0049	H6-10	±32V	±50V	40mA	5A	45W	8Ω	20Hz-20kHz	0.1%	40dB	San
STK0050	H6-10	±33V	±53V	40mA	5A	50W	8Ω	20Hz-20kHz	0.1%	40dB	San
STK0055	H6-10	±33V	±53V	40mA	7A	50W	8Ω	20Hz-20kHz	0.1%	40dB	San
STK0059	H6-10	±35V	±53V	40mA	7A	55W	8Ω	20Hz-20kHz	0.1%	40dB	San
STK0060	H8-10	±36V	±55V	40mA	7A	60W	8Ω	20Hz-20kHz	0.1%	40dB	San
STK0070	H8-10	±38V	±55V	40mA	7A	70W	8Ω	20Hz-20kHz	0.1%	40dB	San
STK0080	H8-10	±42V	±65V	40mA	10A	80W	8Ω	20Hz-20kHz	0.1%	40dB	San
STK0100	H8-10	±45V	±75V	40mA	10A	100W	8Ω	20Hz-20kHz	0.1%	40dB	San
STK0105	H1-10	±45V	±75V	40mA	10A	100W	8Ω	20Hz-20kHz	0.1%	40dB	San
ECG1279	H6-10	±33V	±48V	40mA	5A	50W	8Ω	20Hz-20kHz	0.1%	40dB	Ecq
ECG1280	H6-10	±31V	±45V	40mA	5A	35W	8Ω	20Hz-20kHz	0.1%	40dB	Ecq
ECG1281	H6-10	±33V	±48V	40mA	5A	50W	8Ω	20Hz-20kHz	0.1%	40dB	Ecq
ECG1282	H6-10	±31V	±45V	40mA	5A	35W	8Ω	20Hz-20kHz	0.1%	40dB	Ecq
ECG1320	H1-10	±24V	±35V	40mA	3A	25W	8Ω	20Hz-20kHz	0.1%	40dB	Ecq
ECG1321	H6-10	±35V	±53V	40mA	7A	55W	8Ω	20Hz-20kHz	0.1%	40dB	Ecq

The **STK79315A** is a vertical deflection signal processor and output amplifier

Applications:

- Large screen ultra-high definition CRT displays

Features:

- Vertical deflection basic function (vertical oscillator, sawtooth waveform generator, output amplifier) built-in
- Vertical centering correction circuit built-in, variable over a wide range. DC controllable
- Pump-up circuit built-in for low power dissipation;
- High-current, high-withstand voltage output amplifier
- Wide vertical pull-in range, adjustment-free oscillator
- DC controllable vertical amplitude
- Quiescent current adjustment for zero crossover distortion in the output amplifier
- Wide supply range for all loads

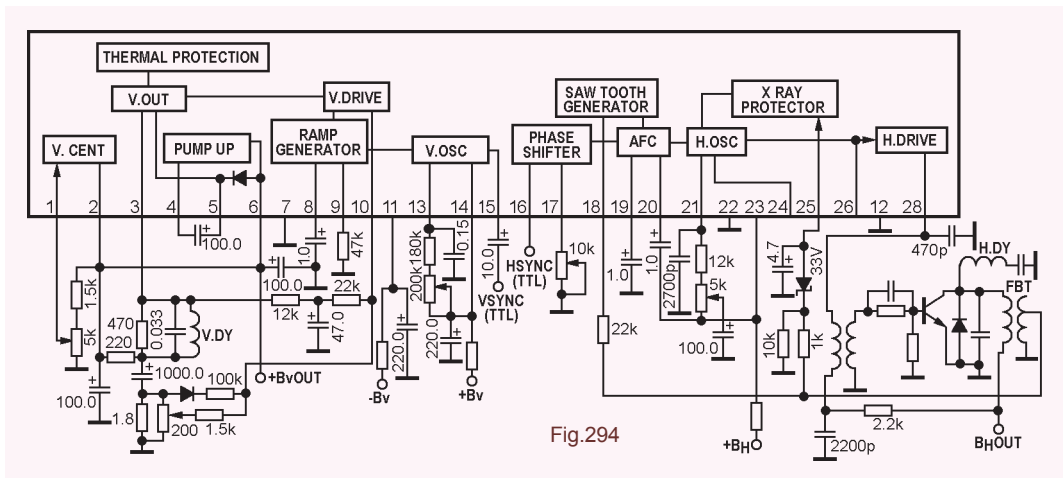
Fig.293 shows a typical application

Type	Case	BVout	+BV	Ipomax	Icc0	FVp	FVosc	Mnf
STK73915A	H4-18	80V	14V	±2A	20mA	60Hz	120Hz	San

Deflection signal processor, vertical and horizontal power amplifier for CRT display



STK79901
STK79905B



The **STK79901** and **STK79905B** are deflection signal processor with vertical and horizontal power amplifier

Applications:

- Large screen ultra-high definition CRT displays

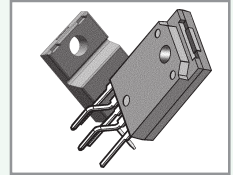
Features:

- Pin-to-pin and case compatible types with variable electrical characteristics
- Vertical and horizontal deflection basic function built-in
- Pump-up circuit built-in for low power dissipation
- High-current, high-withstand voltage output amplifier
- Wide supply range for all loads

Fig.294 shows a typical application

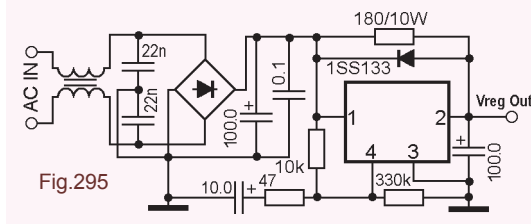
Type	Case	BVout	+BV	+BH	Ipomax	Icc28	FVp	FHosc	Mnf
STK79901	H4-28	30V	14V	14V	±1.3A	200mA	60Hz	15750Hz	San
STK79905B	H4-28	30V	14V	14V	±1.5A	200mA	60Hz	15750Hz	San

SECTION 2
STR Integrated Circuits



Fixed output linear high voltage regulator for TV power supply

STR212
 STR370 ECG1546
 STR371 ECG1548
 STR380 ECG1553
 STR381 ECG1646
 STR382 ECG1719
 STR383 SK7646
 STR384 SK7647
 STR385 SK7720
 STR729 SK10492



The **STR300** series ICs are linear fixed output high voltage regulators

Applications:

- B/W and colour TV power supplies

Features:

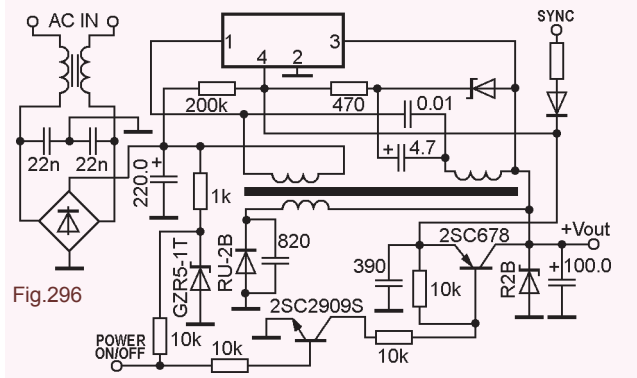
- Pin-to-pin and case compatible types with variable electrical characteristics
- Wide input voltage range
- High output current
- High line and load regulation characteristics (50mV/V, 50mV/mA)

Fig.295 shows a typical application

Type	Case	Vinmin	Vinmax	Voutnom	Ioutnom	Ioutmax	Pd	Mnf
STR212	TO3-4	95V	130V	111.8±0.8V	0.5A	1A	25W	Sak
STR370	TO3-4	95V	130V	109.8±0.8V	0.5A	1A	25W	Sak
STR371	TO3-4	95V	130V	114.8±0.8V	0.5A	1A	25W	Sak
STR380	TO3-4	110V	150V	122.8±0.8V	0.5A	1A	25W	Sak
STR381	TO3-4	110V	150V	129.4±0.7V	0.5A	1A	25W	Sak
STR382	TO3-4	110V	150V	125.0±0.8V	0.5A	1A	25W	Sak
STR383	TO3-4	110V	150V	120.0±0.8V	0.5A	1A	25W	Sak
STR384	TO3-4	110V	150V	123.0±0.8V	0.5A	1A	25W	Sak
STR385	TO3-4	110V	150V	126.8±0.8V	0.5A	1A	25W	Sak
STR729	TO3-4	110V	150V	129±0.8V	0.5A	1A	25W	Sak
ECG1546	TO3-4	110V	150V	129.4±0.7V	0.5A	1A	25W	Ecq
ECG1548	TO3-4	110V	150V	122.8±0.8V	0.5A	1A	25W	Ecq
ECG1553	TO3-4	110V	150V	126.8±0.8V	0.5A	1A	25W	Ecq
ECG1646	TO3-4	110V	150V	129±0.8V	0.5A	1A	25W	Ecq
ECG1719	TO3-4	110V	150V	120.0±0.8V	0.5A	1A	25W	Ecq
SK7646	TO3-4	110V	150V	122.8±0.8V	0.5A	1A	25W	Tce
SK7647	TO3-4	110V	150V	129.4±0.7V	0.5A	1A	25W	Tce
SK7720	TO3-4	110V	150V	127±0.7V	0.5A	1A	25W	Tce
SK10492	TO3-4	110V	150V	129±0.8V	0.5A	1A	25W	Tce

Fixed output self exciting switching type voltage regulator for TV SMPS

STR440
 STR441
 STR442
 ECG1645
 NTE1645
 SK10491



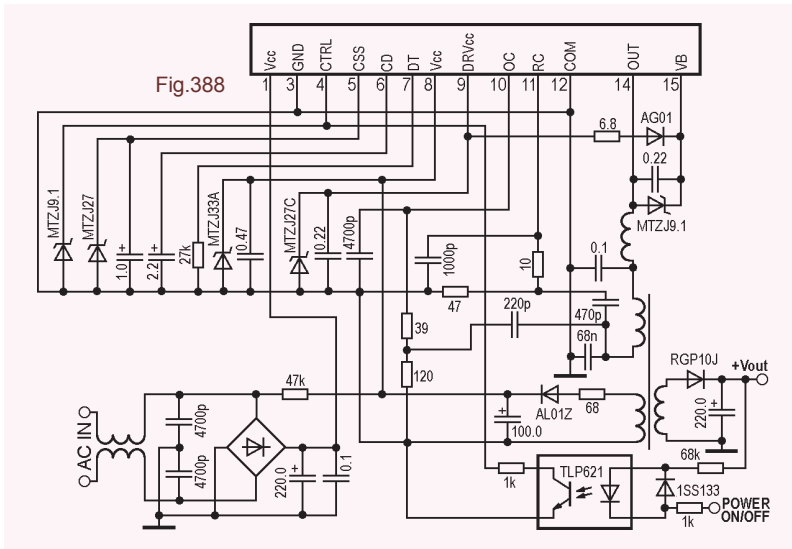
The **STR440** series ICs are fixed output self exciting switching type voltage regulators

Applications:

- B/W and colour TV power supplies

Features:

- Pin-to-pin and case compatible types with variable electrical characteristics
- Bipolar power devices
- Feedback control for high output voltage precision



- Two avalanche-rated power MOSFET
- Under-voltage lockout with hysteresis
- Integrated protection types are:
 - Pulse-by-pulse current limiting
 - Under voltage lockout with hysteresis
 - Latched over-voltage and and thermal shutdown protection
 - Latched external fault signal

Fig.388 shows a typical application

Type	Case	V _{in(AC)}	V _{dss}	R _{ds(on)} mx	I _{dmax}	P _d	F _{osc}	Mnf
STR-Z4267	HSOP-15	85..264V	500V	0.14Ω	2A	100W	120kHz	Sak
STR-Z4316	HSOP-15	85..264V	600V	0.23Ω	2A	100W	140kHz	Sak
STR-Z4317	HSOP-15	85..264V	600V	0.25Ω	2A	100W	140kHz	Sak
STR-Z4369	HSOP-15	85..264V	600V	0.27Ω	2A	100W	140kHz	Sak
STR-Z4479	HSOP-15	85..264V	650V	0.21Ω	2.2A	120W	160kHz	Sak
STR-Z4567	HSOP-15	85..264V	800V	0.23Ω	2.2A	120W	160kHz	Sak
STR-Z4569	HSOP-15	85..264V	800V	0.18Ω	2.5A	120W	200kHz	Sak
STR-Z4579	HSOP-15	85..264V	800V	0.17Ω	2.5A	140W	200kHz	Sak



© 2021 Copyright Eugeniu Turuta
© 2021 Copyright Mihai Turuta
Toronto, 2021 edition
Chisinau, 2021 edition