

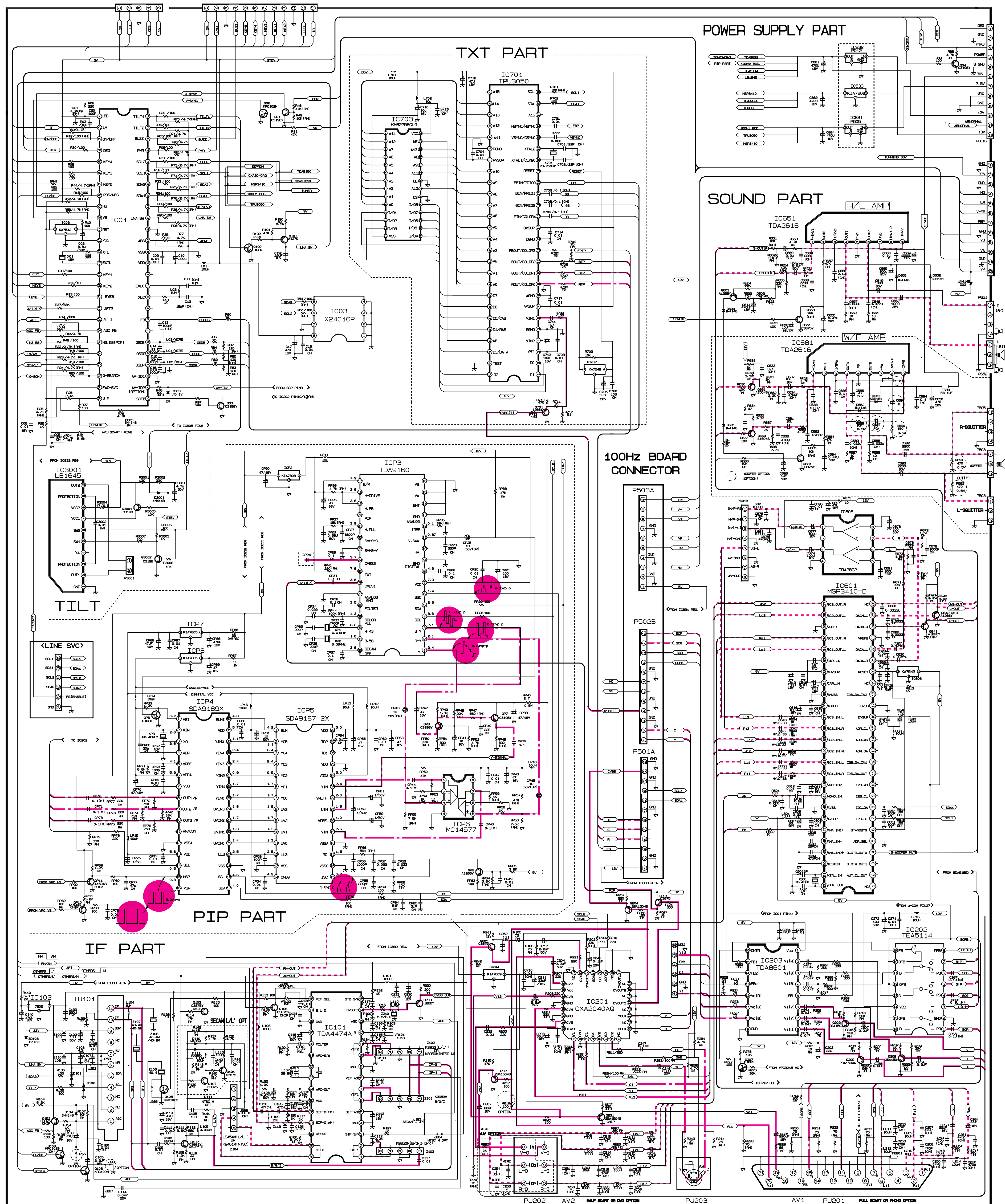
# Service Sheet of MC-993A

CIRCUIT DIAGRAM FOR MC-993A CHASSIS MAIN1

99 03 11 Y S Park

P/N : 3854VA0061A-S1(1/2)

Date : 1999.7.23



Video  
Y  
C  
Audio

Waveform

PJ202 AV2 HALF SCHEM OR DTD OPTION PJ203 AV1 PJ201 FULL SCHEM OR PDD OPTION

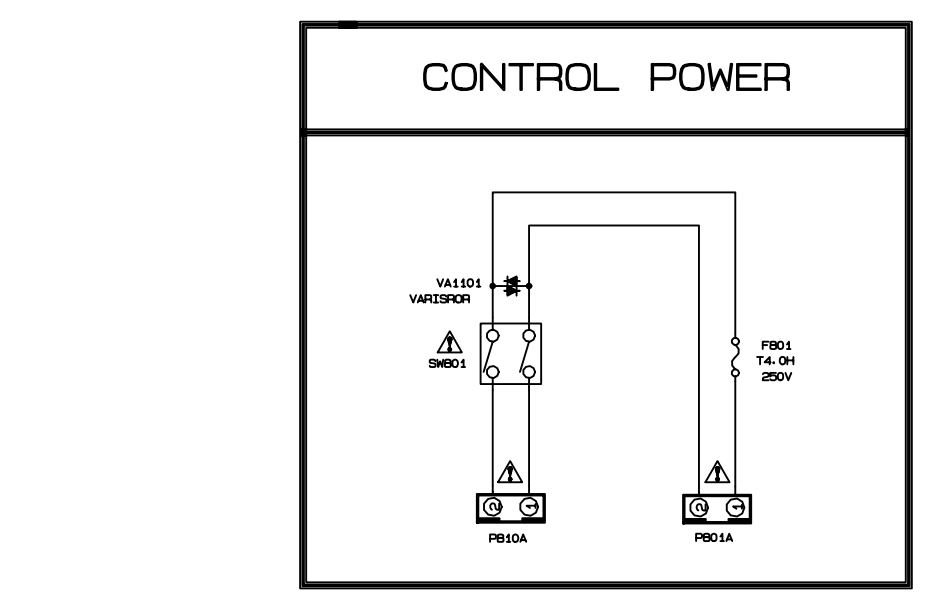
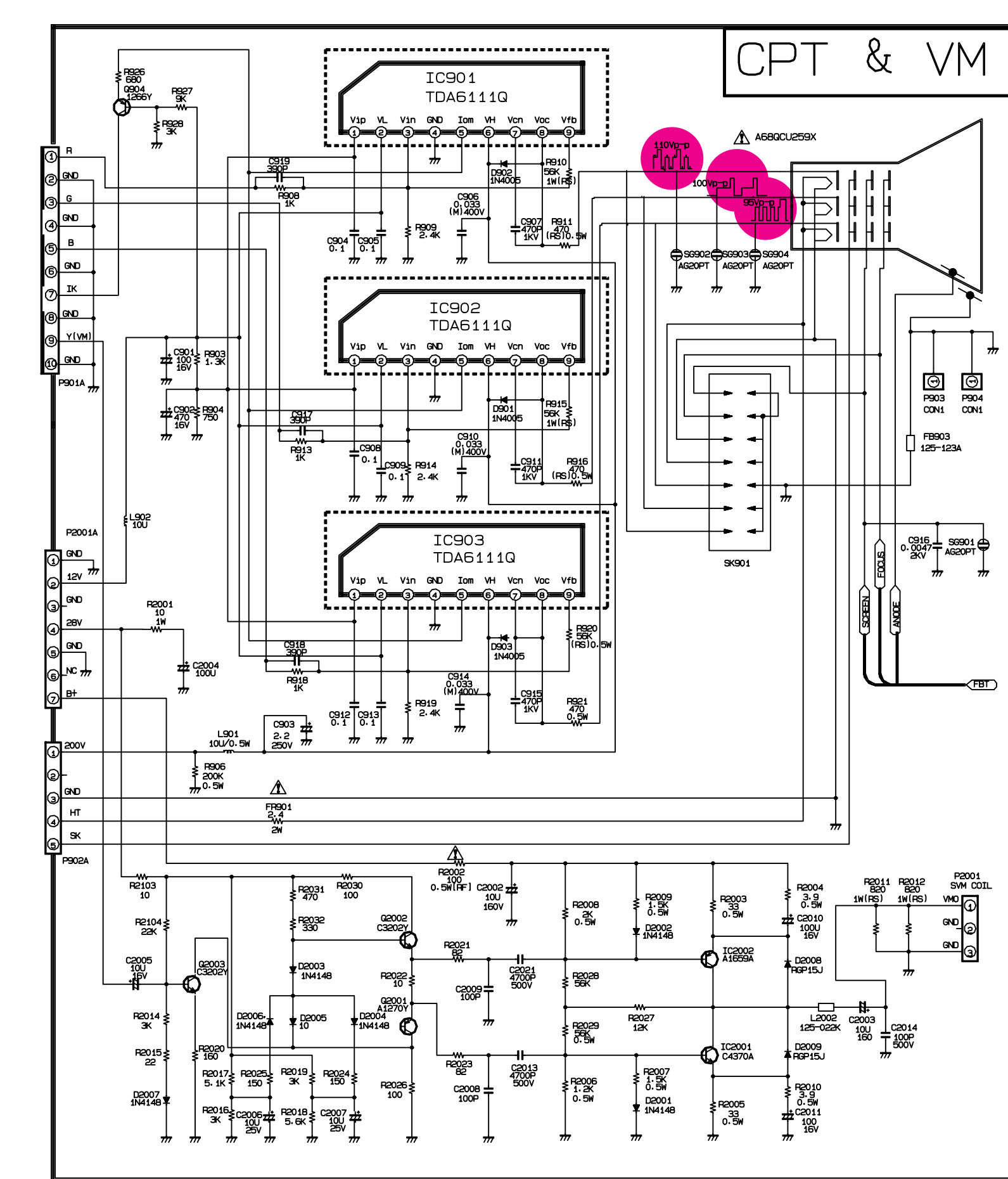
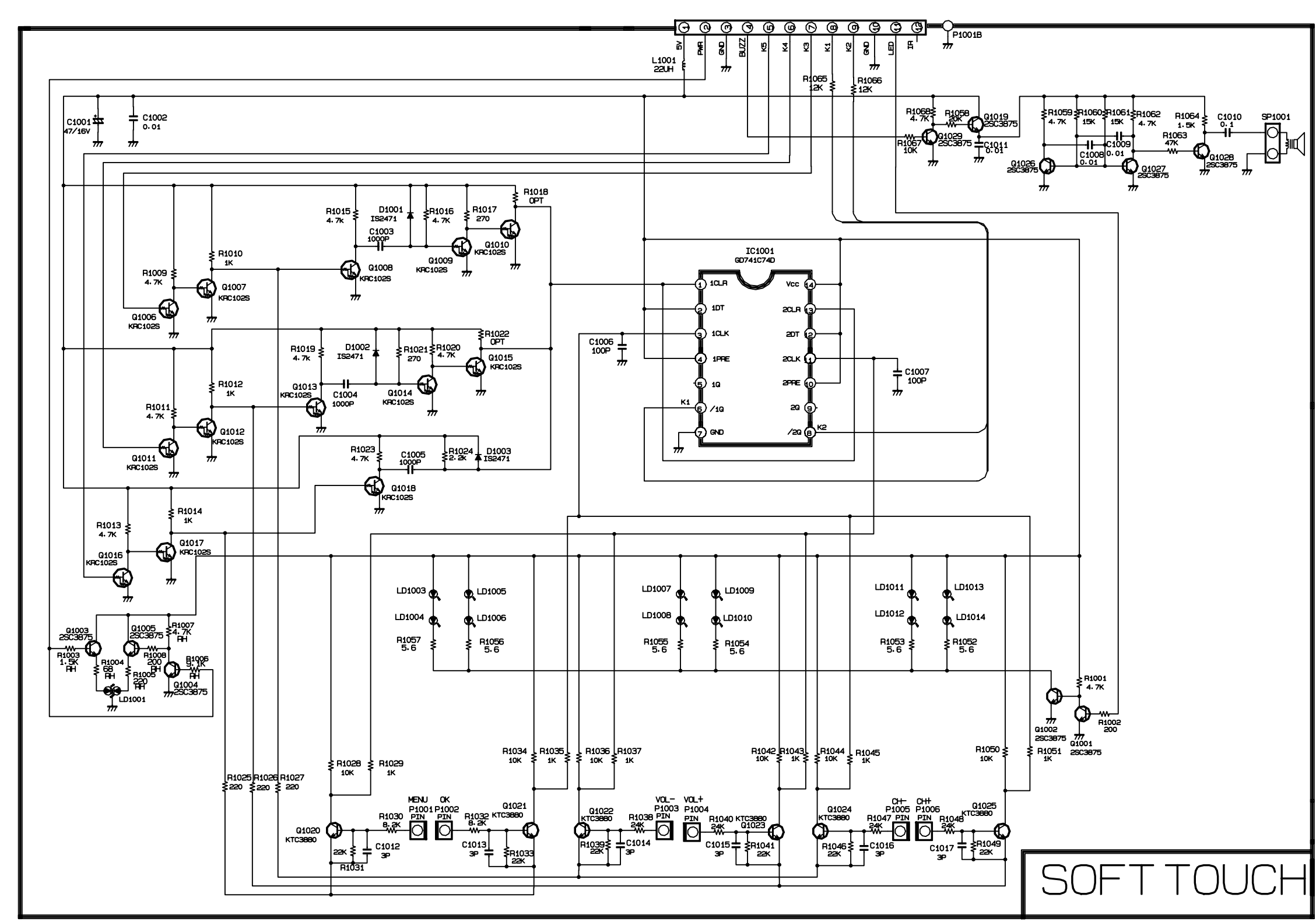
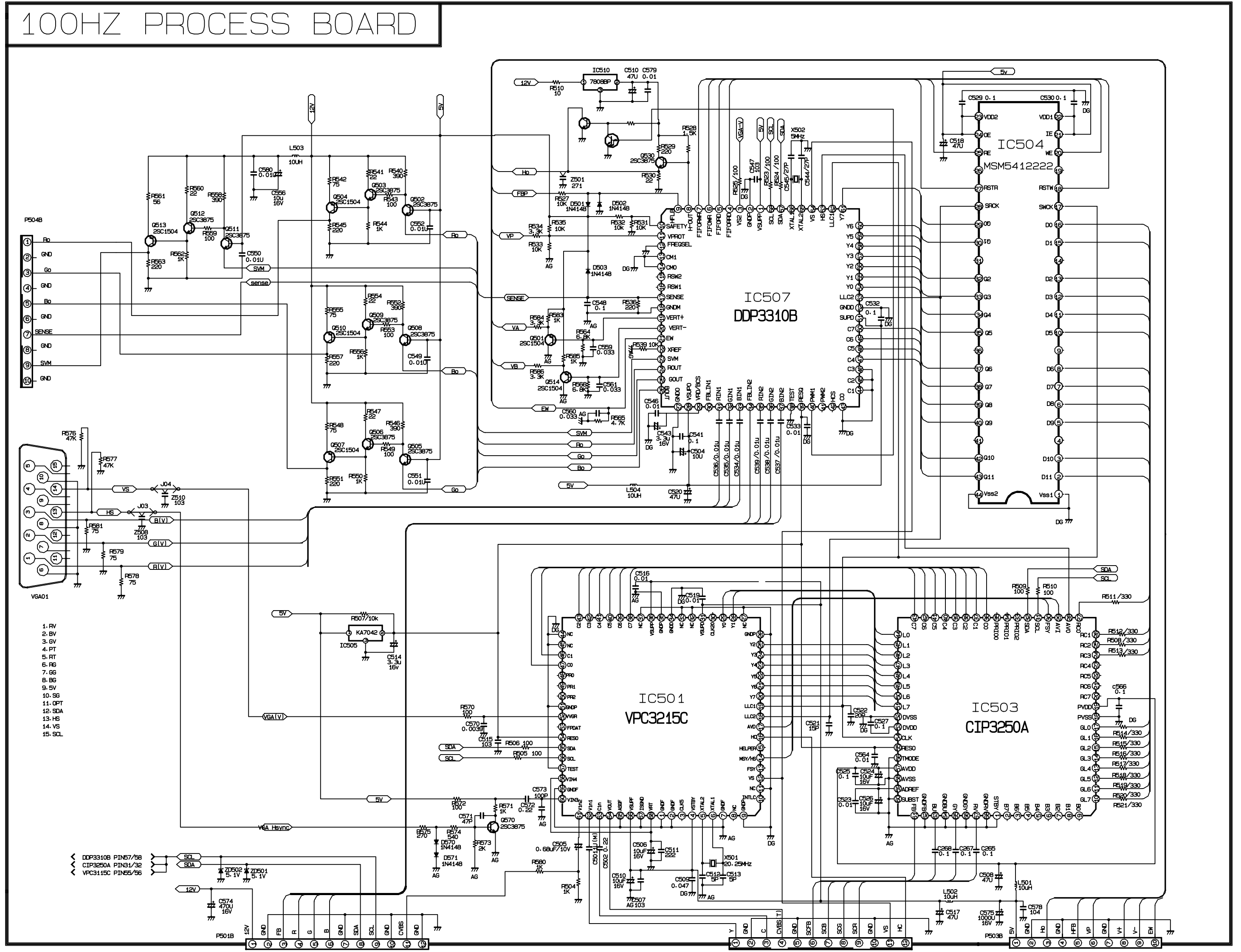
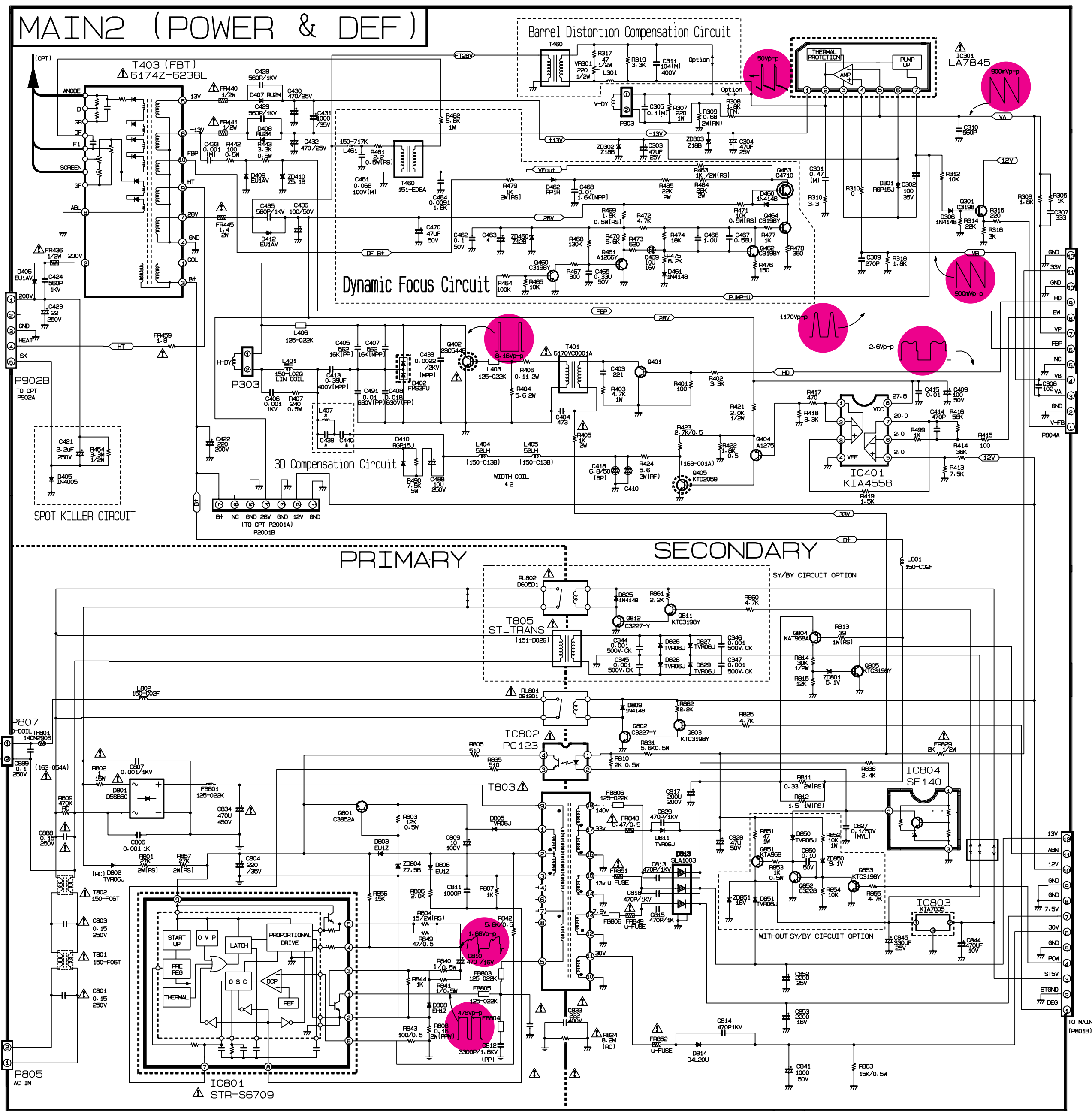


# Service Sheet of MC-993A

P/N : 3854VA0061A-S2(1/2)  
Date : 1999.7.23

## CIRCUIT DIAGRAM FOR MC993A CHASSIS MAIN2 & SUB ASSY

98 11 03 Y S PARK



**NOTICE**

Since this is a basic circuit diagram, the value of components and some partial connections are subject to change for improvement.

The components marked  $\Delta$  conform to VDE or IEC guide-lines and are essential for safe operation of the set, while those marked  $\Delta$  are required for correct operation. Use specified parts only when replacing.

Value of resistor, capacitor and inductor

- Resistances are shown in Ohm, K=1,000, M=1,000,000.
- Unless otherwise noted in schematic, all capacitor values less than 1 are expressed in pF and the values are than 1 in pF. The sign of (M) in schematic means MYLAR CAPACITOR.
- Unless otherwise noted in schematic, all inductor values less than 1 are expressed in uH.

Observation of voltage and waveforms

- Voltages with VTVM from point shown to chassis ground. Line voltage is 200 - 260 volts. Signal pattern is color-bar.
- The schematic shown is representative only.
- All waveforms are taken using a wide band oscilloscope and a low capacity probe.
- Check fine tuning, AGC, brightness, Contrast and Colour for best picture. make sure that Colour, Brightness are in mid position and Contrast is in 75%.