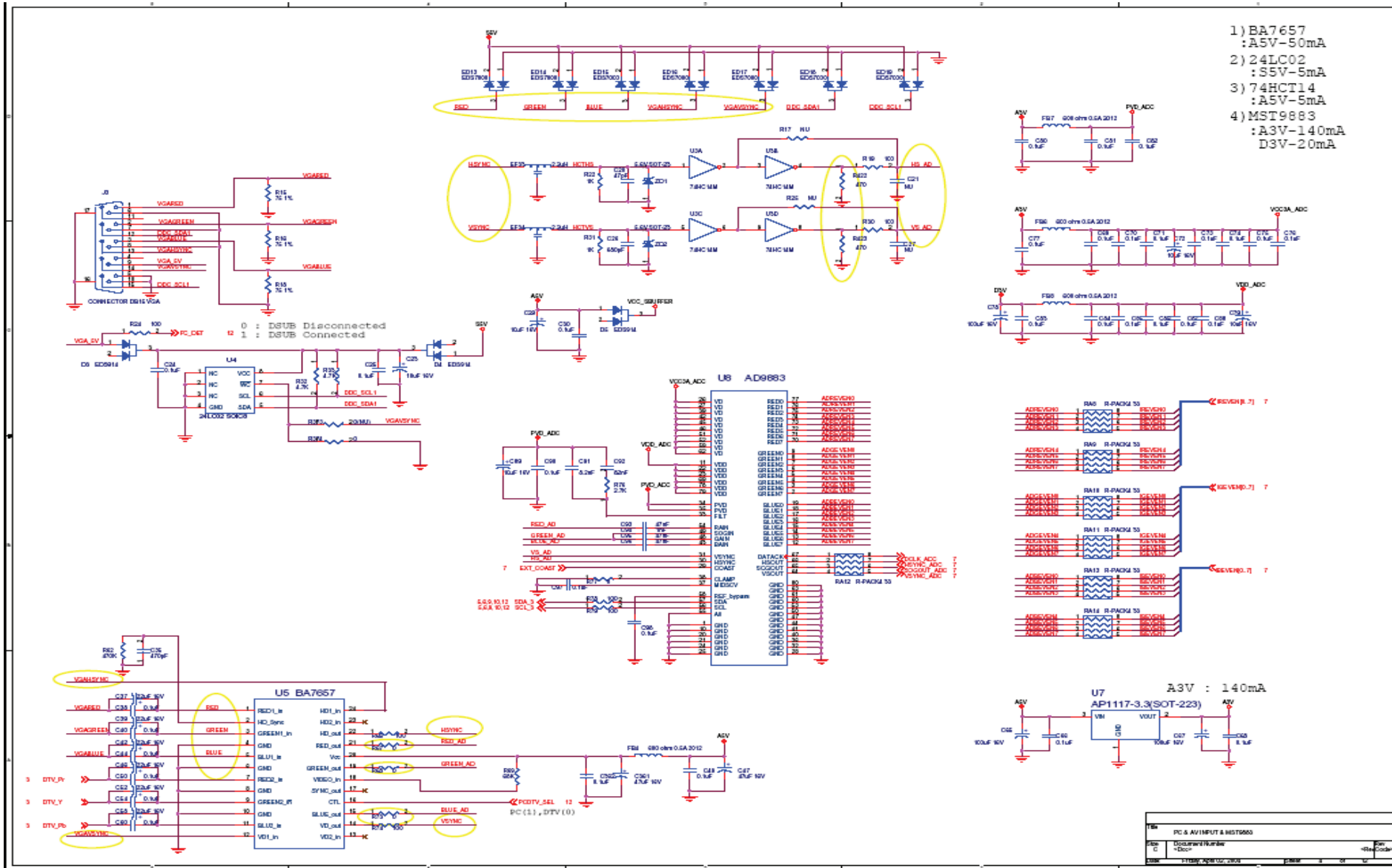
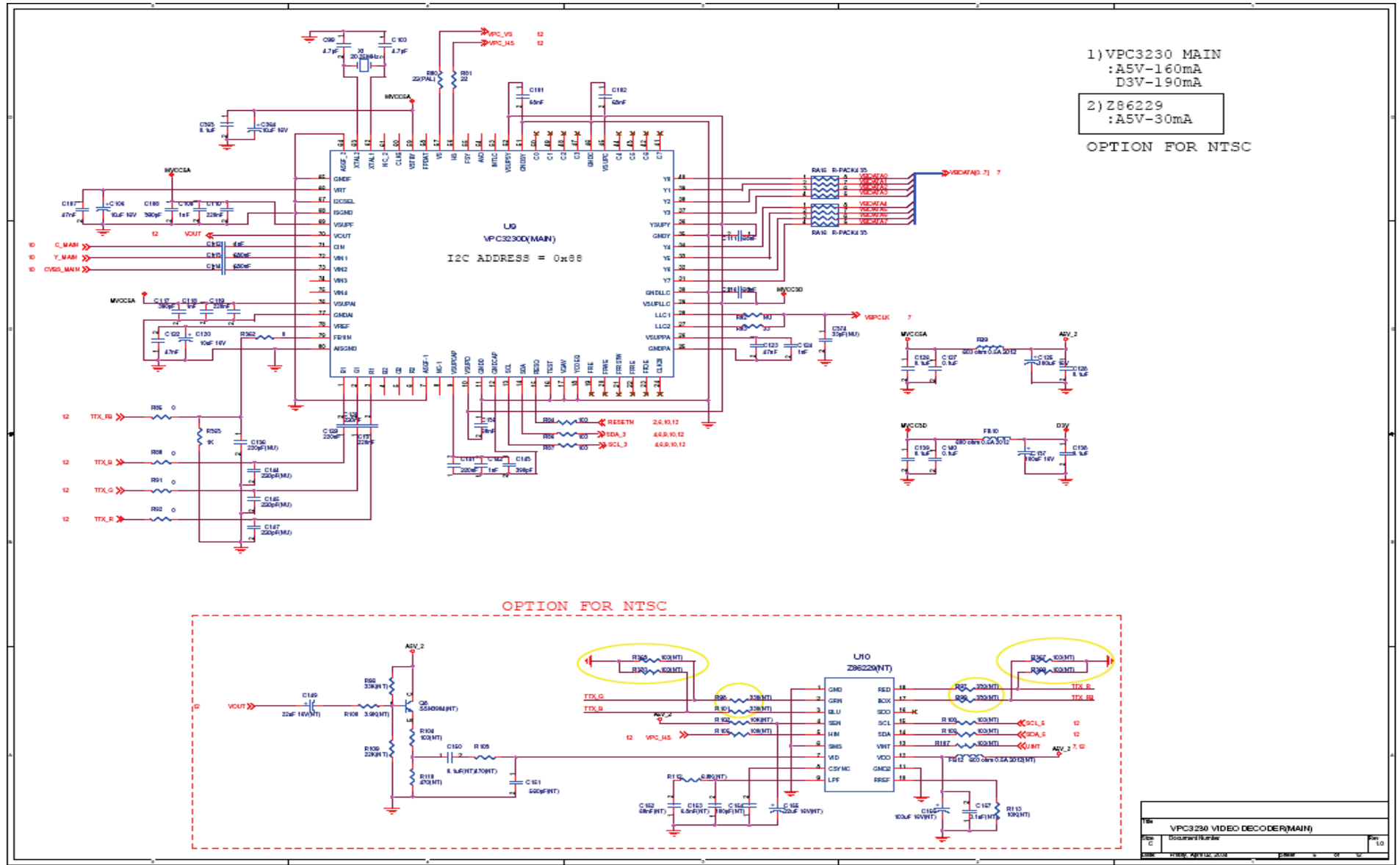


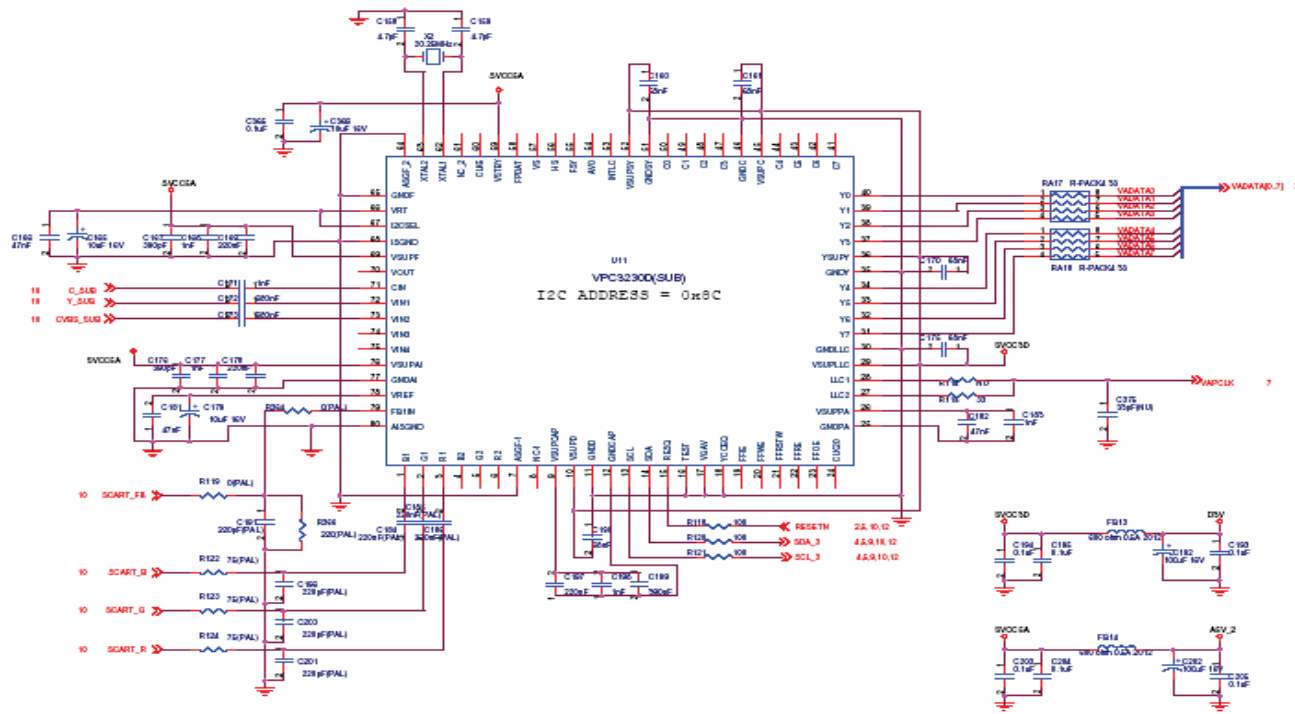
Rev	DPT 100	Rev	
Doc	Customer Number	Doc	
Proj	1000	Proj	
Date	1/20/00	Date	



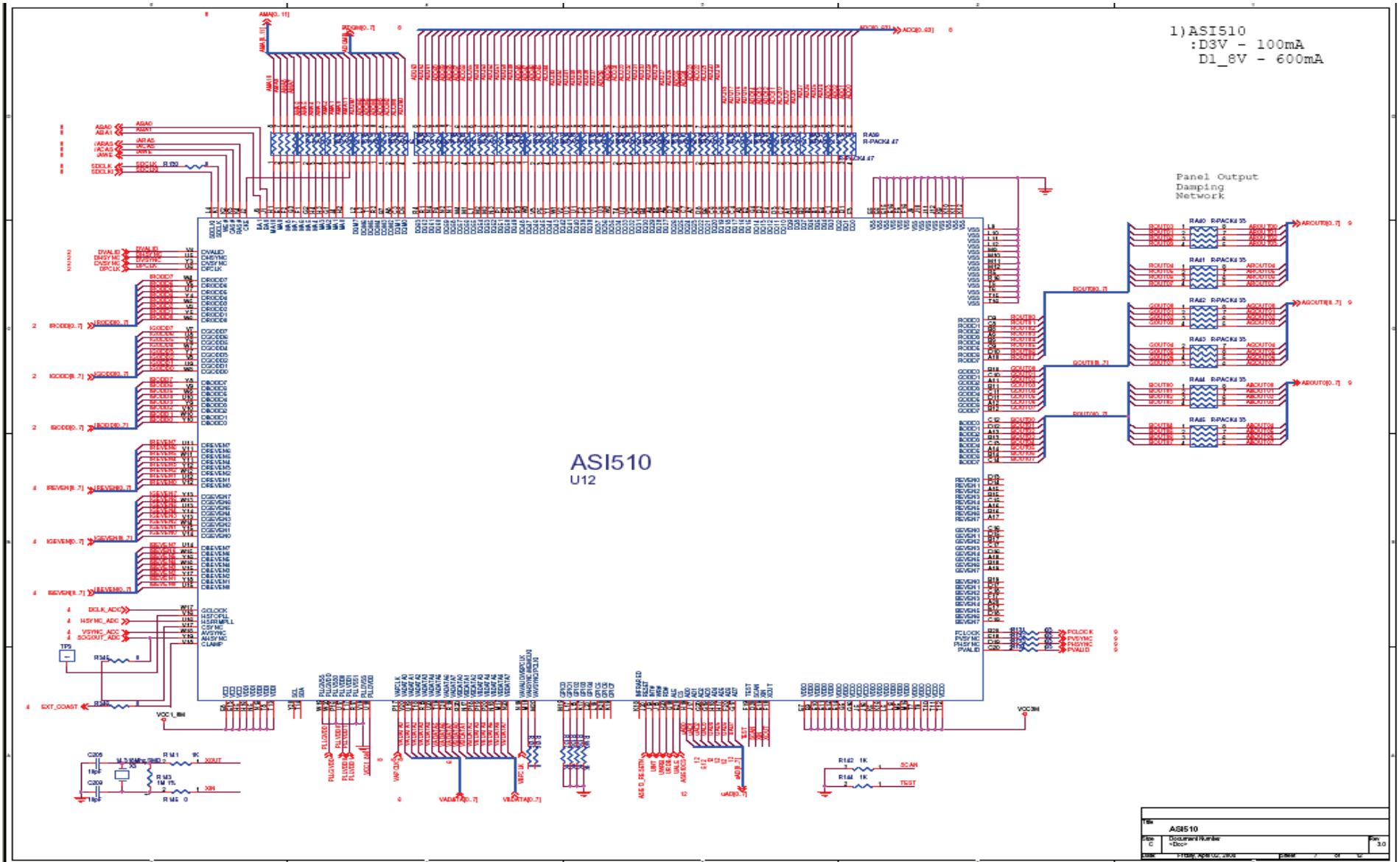


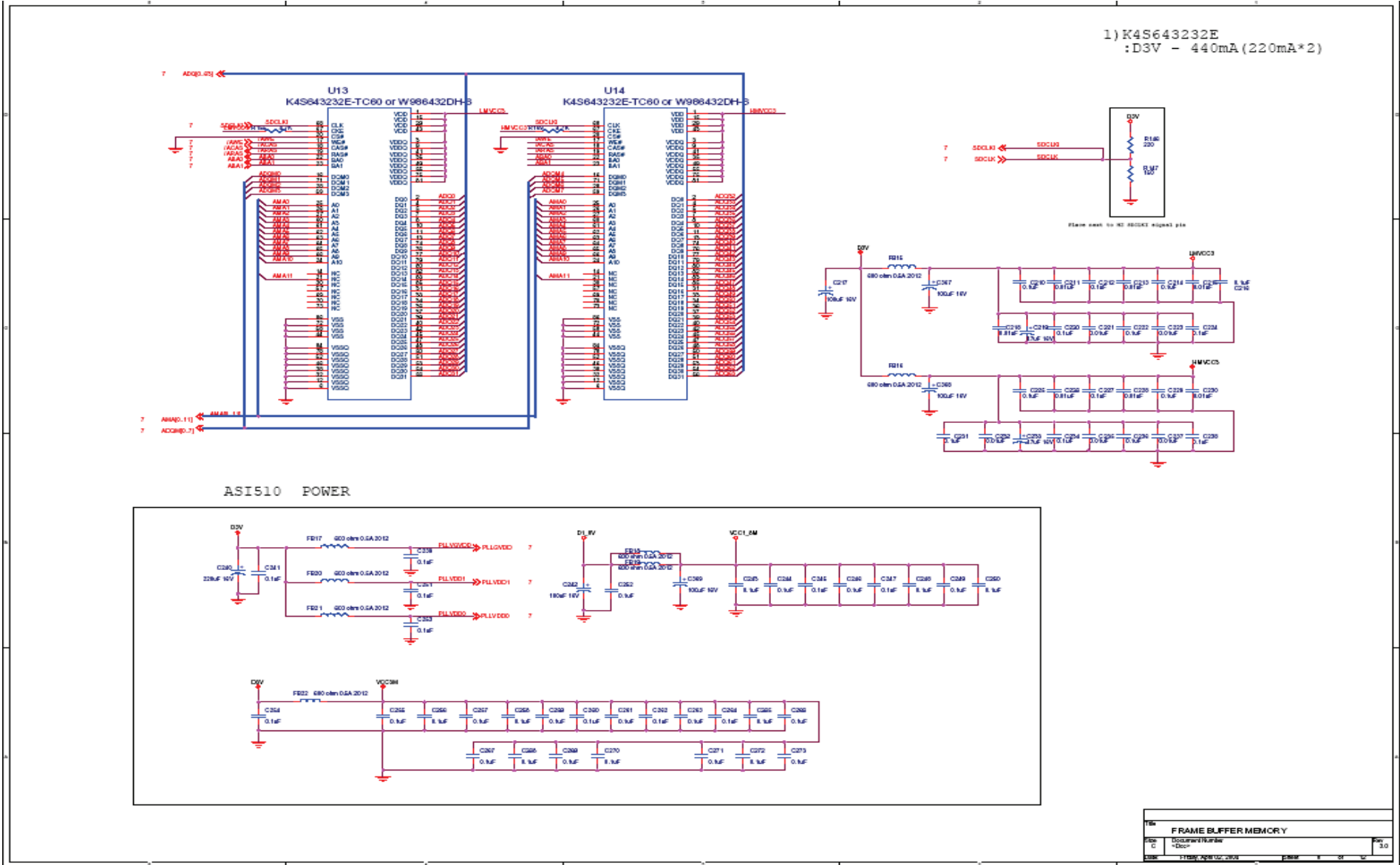
Rev	Document Number	Rev
1.0	VPC3230 VIDEO DECODER(MAIN)	1.0
1	1999-04-12-2004	1 of 12

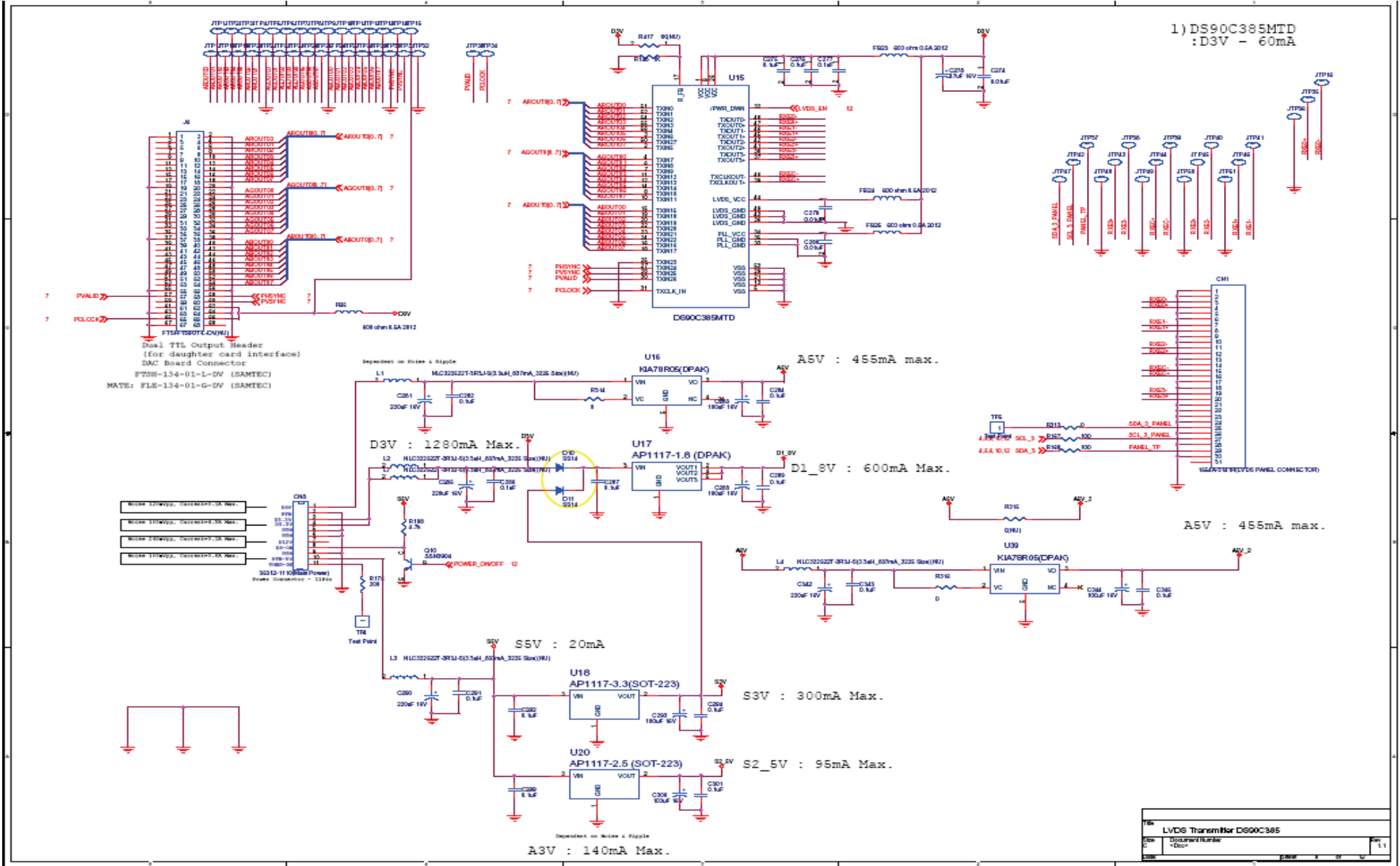
1) VPC3230 SUB
:A5V-160mA
D3V-190mA

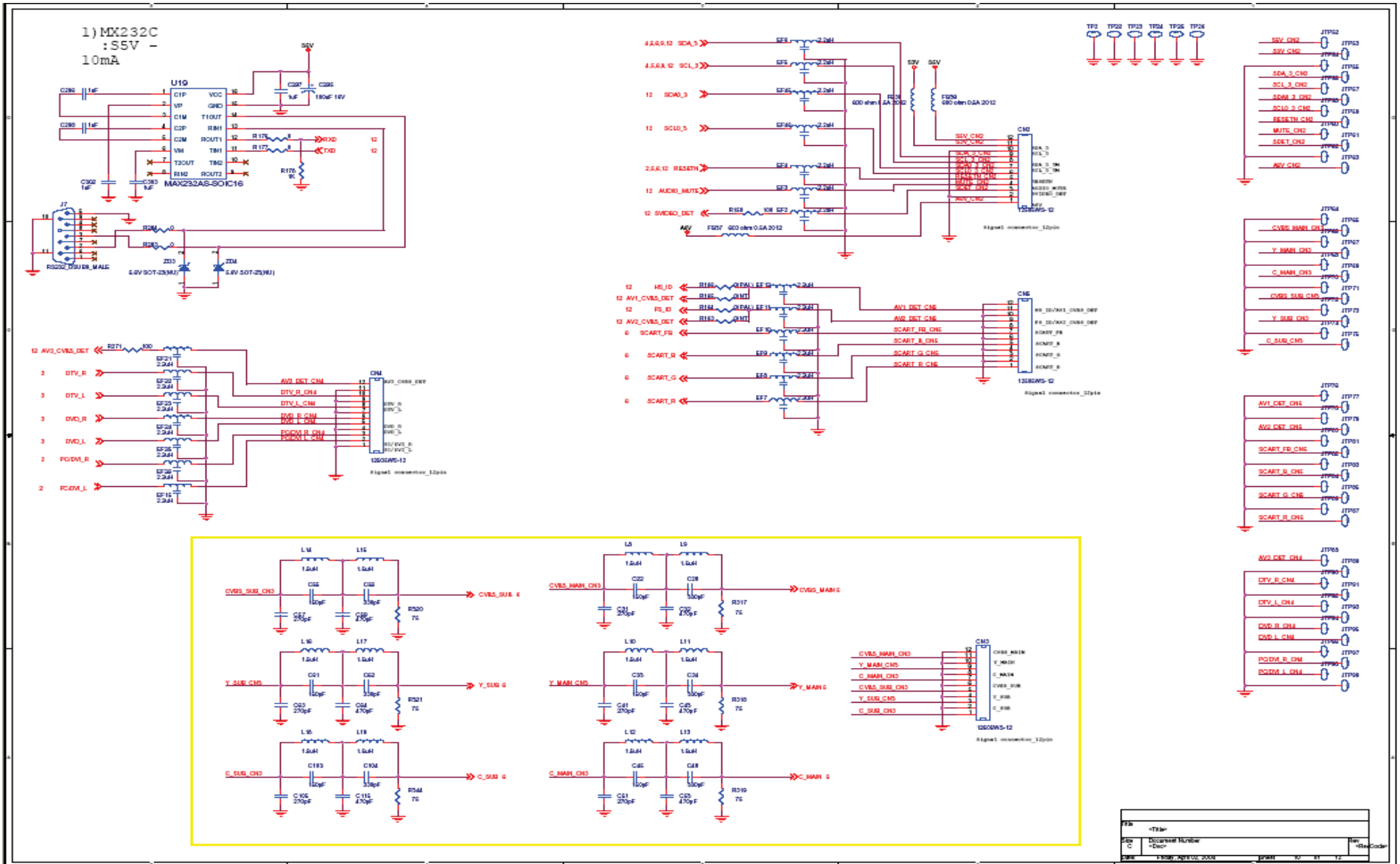


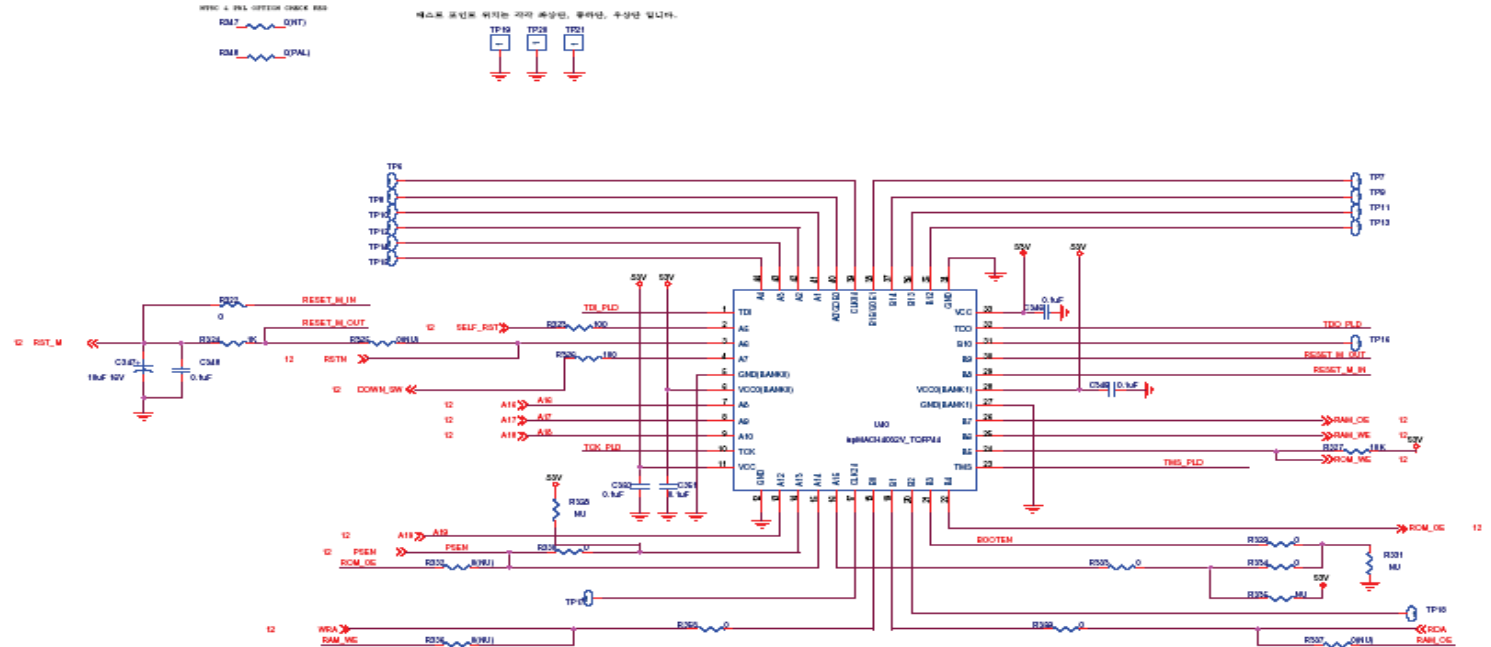
Rev	1	Docu	VPC3230 VIDEO DECODER(SUB)	Page	10
Date	1999-04-14	Drawn			



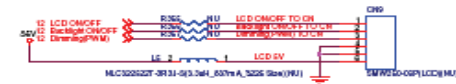
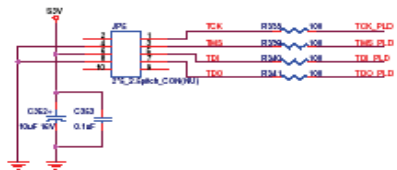




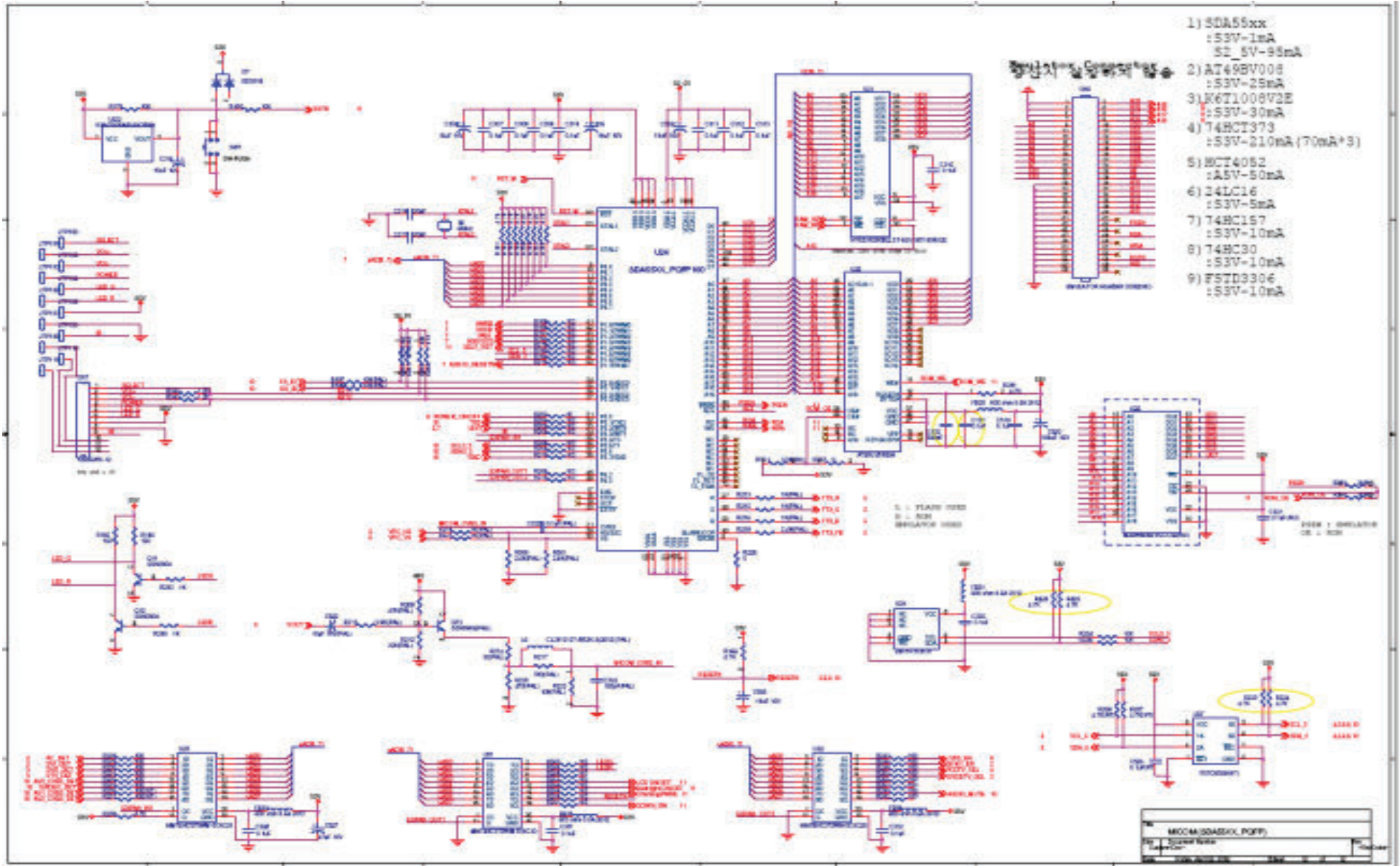




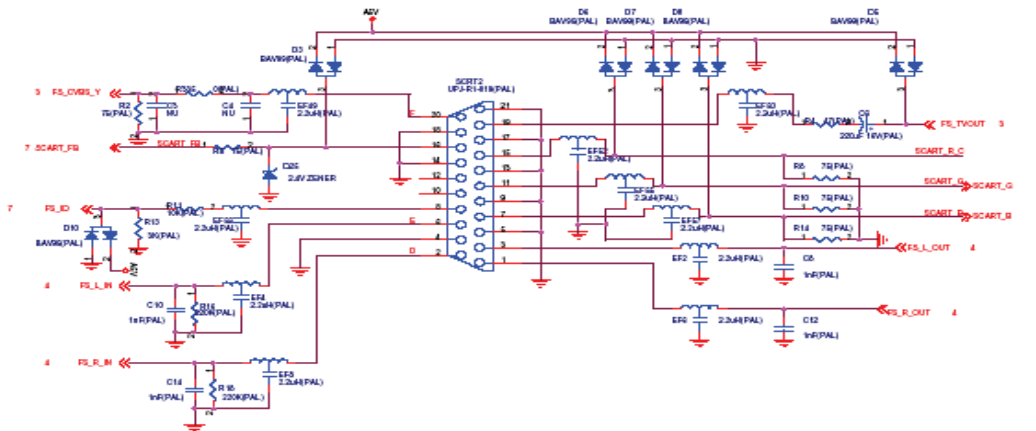
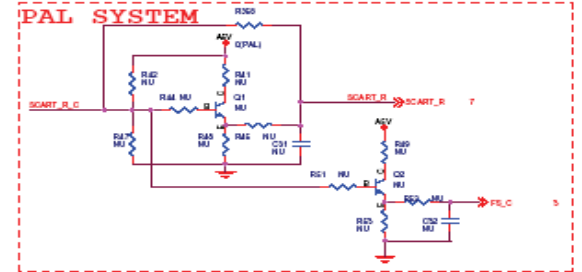
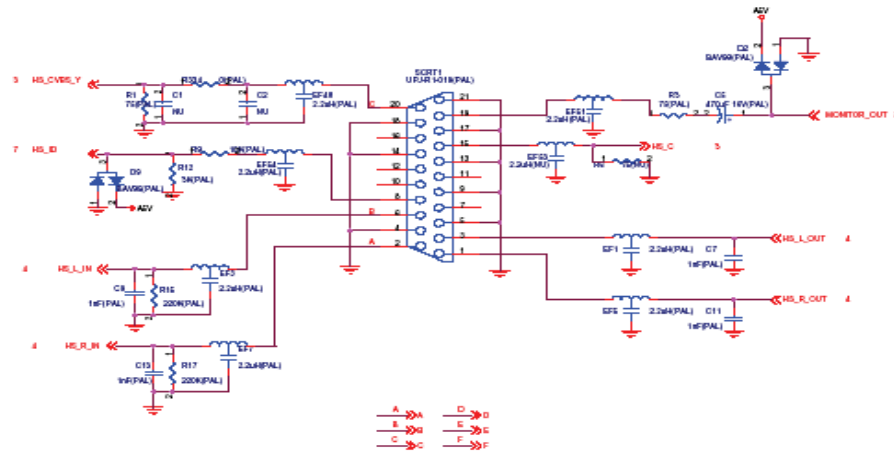
JP5 : JTAG Download Port
위치는 좌상단



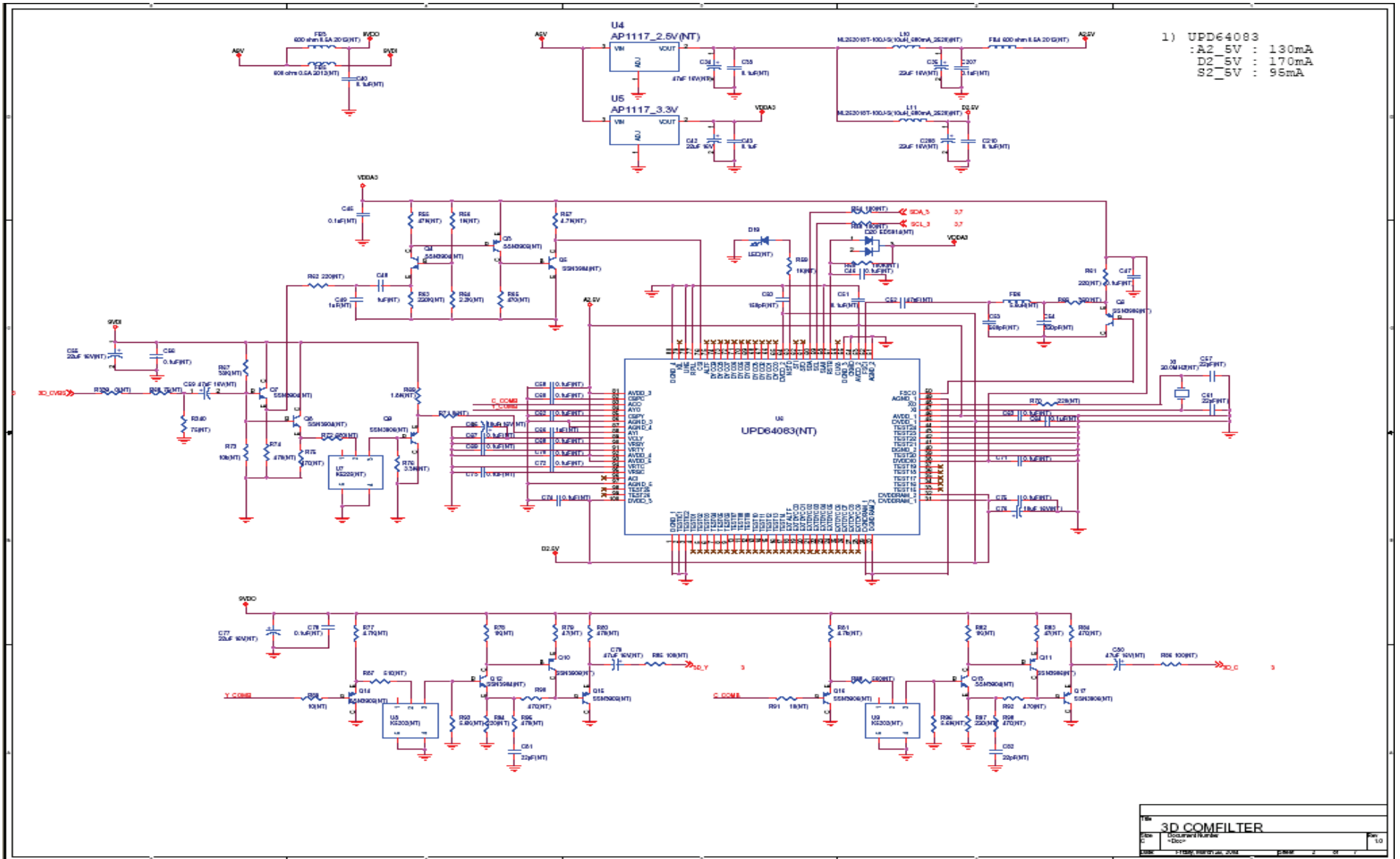
File	DPT 100	Date	
Doc	Document Number	Rev	
Ver	Version	Printed	
Scale	1:1	Sheet	11 of 12

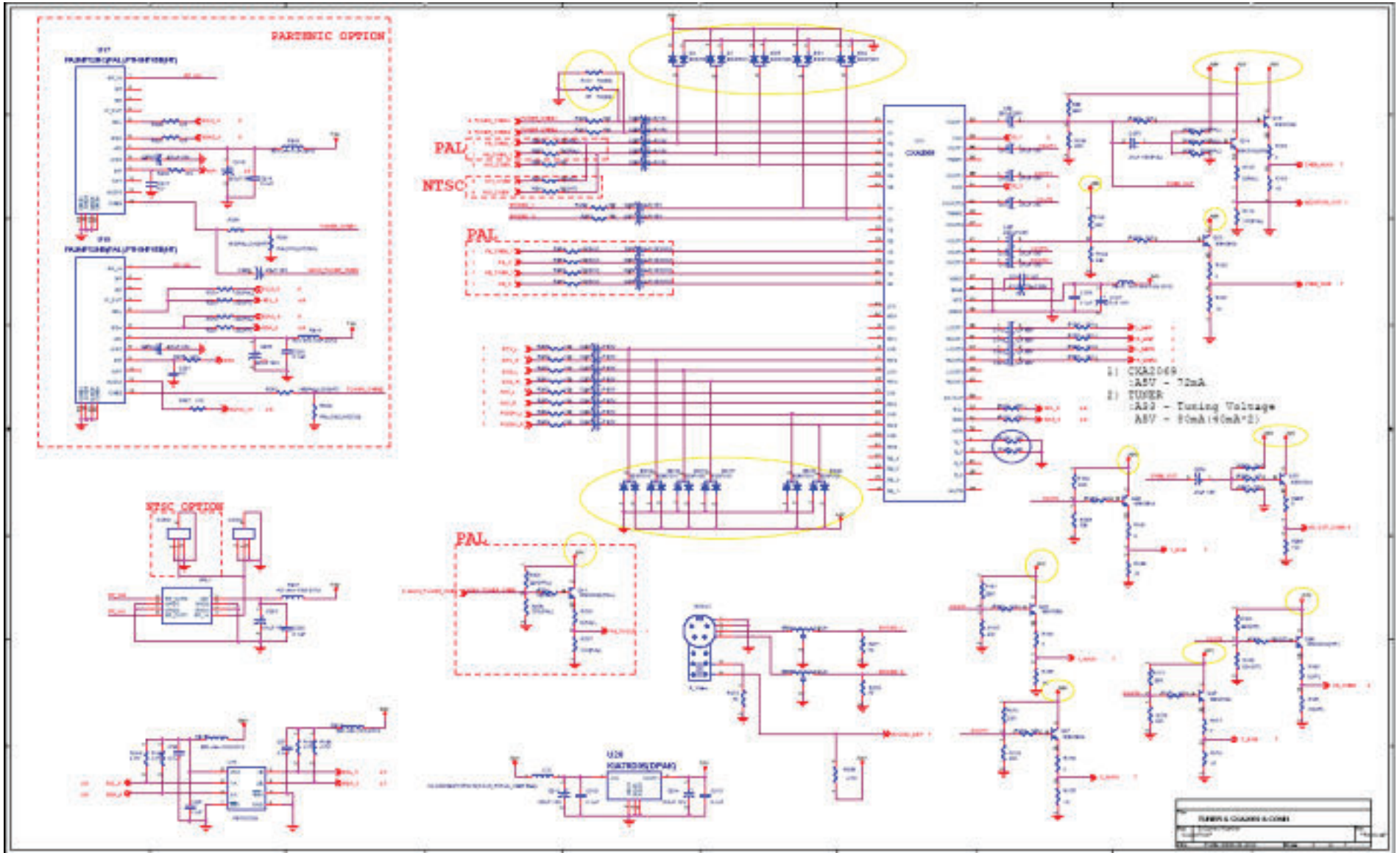


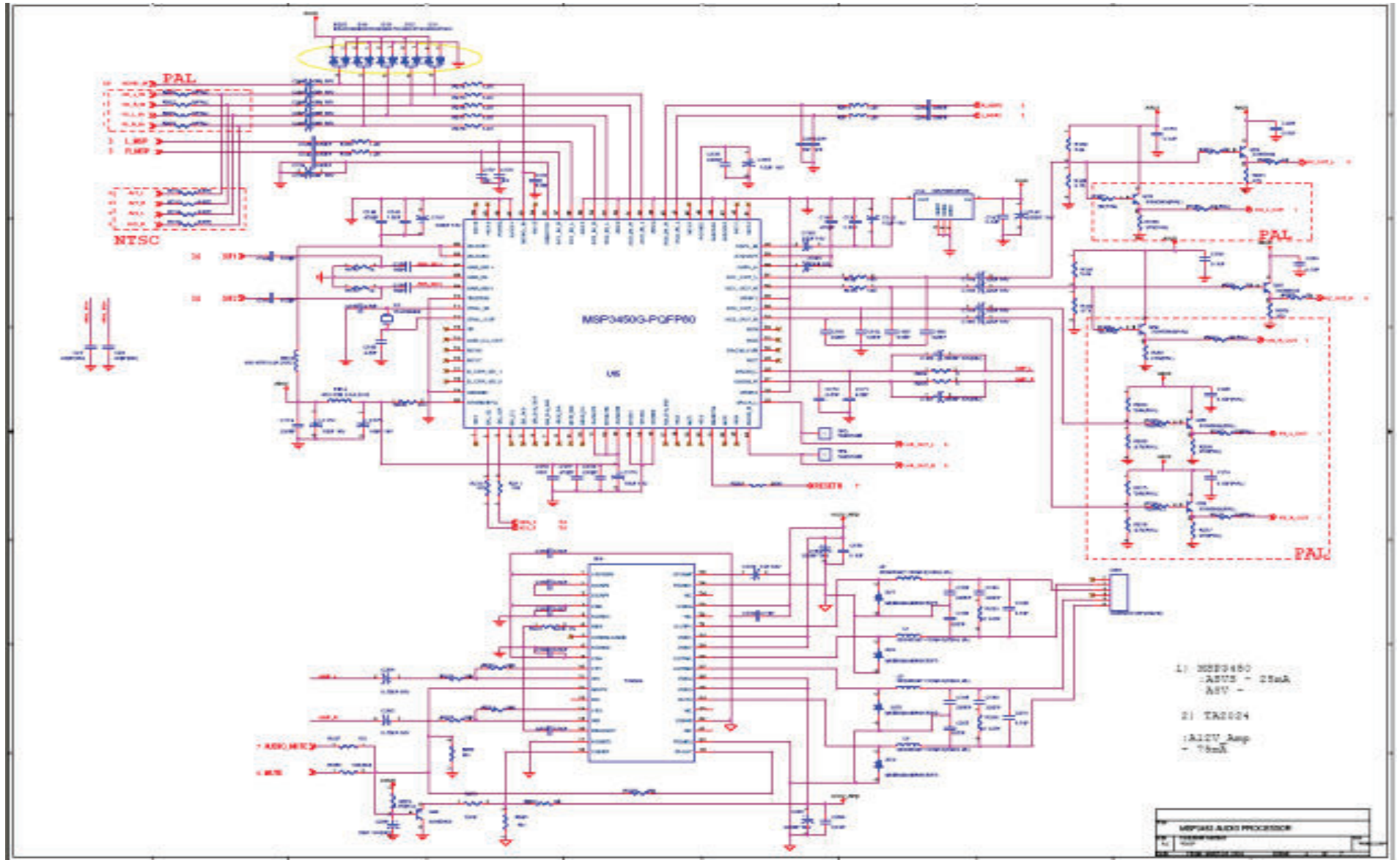
PAL SYSTEM

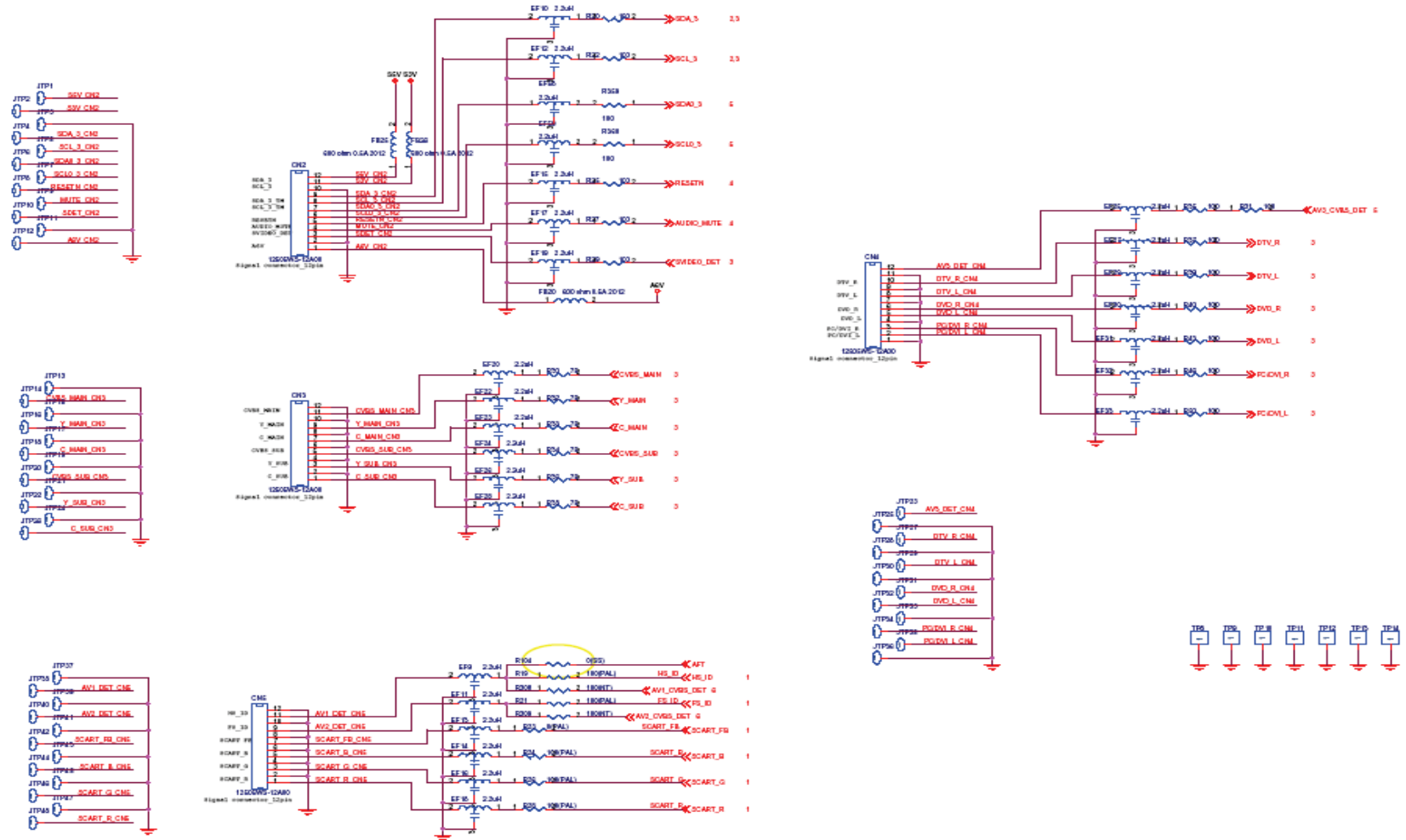


E6 SCART & TTX SWITCH & POWER		
Rev	1	1998/08/20
Doc	1	1998/08/20
Drawn	1	1998/08/20









Rev	001
Part No	15500HS-25A08
Doc No	15500HS-25A08-001
Date	2004-08-24