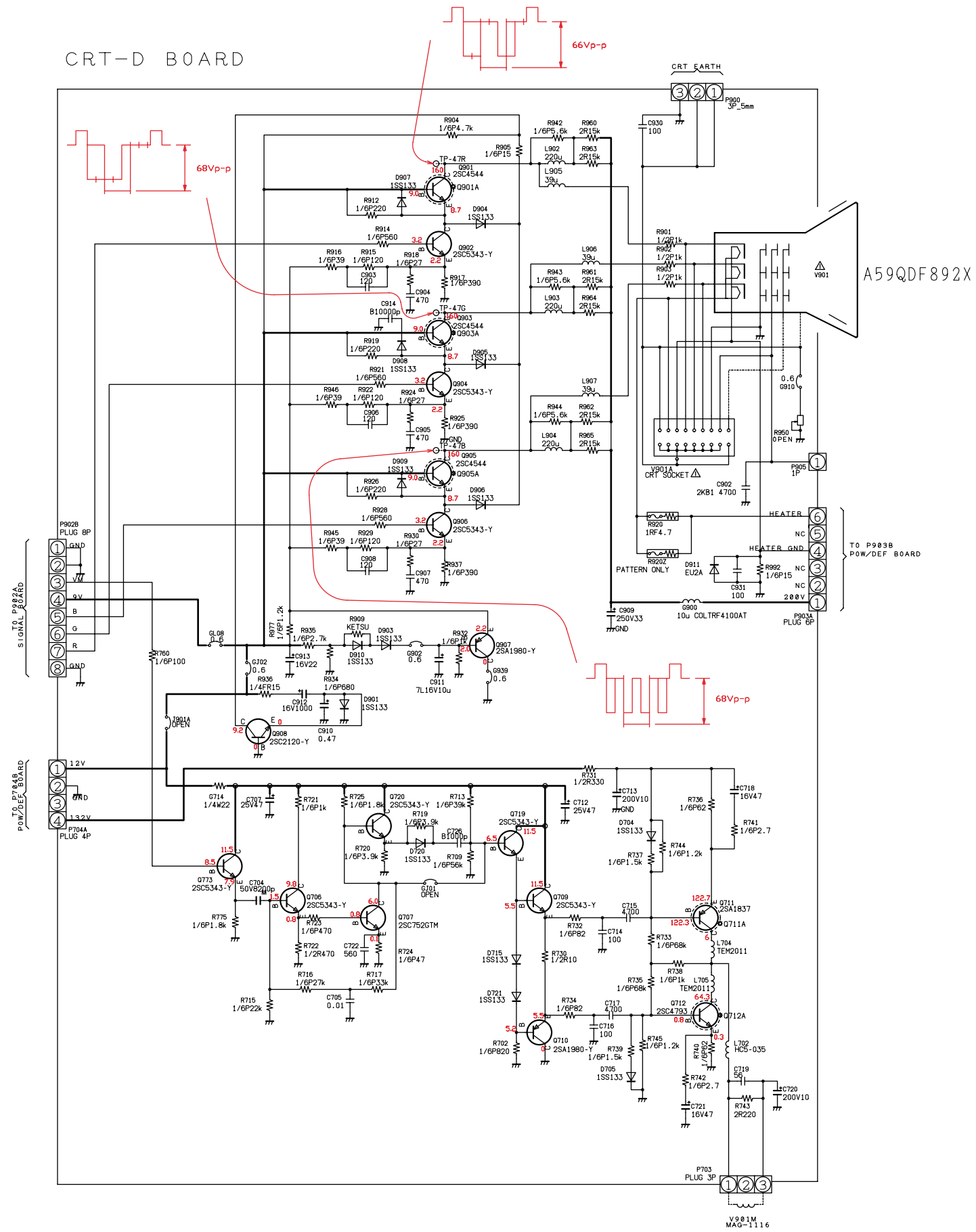


CRT-D BOARD



A59QDF892X

CRT-D
25AF6C
25AF6SH

1

2

3

4

5

6

7

8

A

B

C

D

E

F

A

B

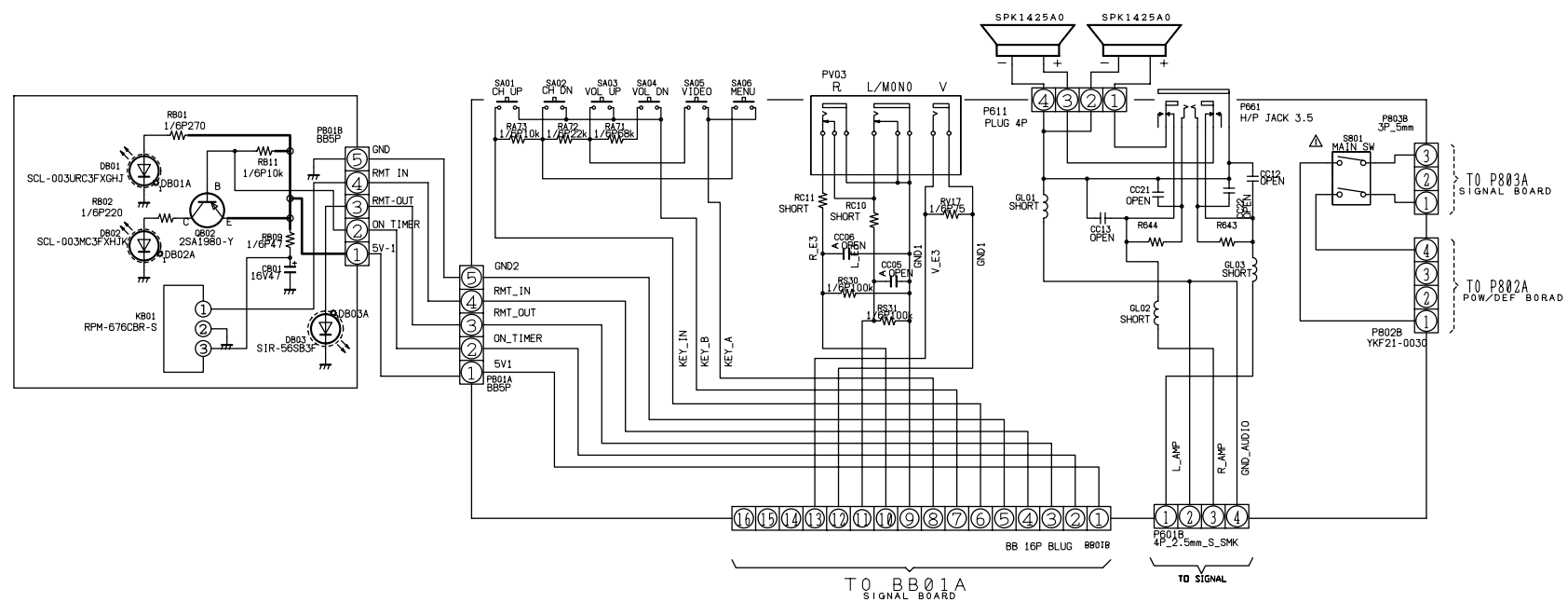
C

D

E

F

CONT/LED BOARD



1

2

3

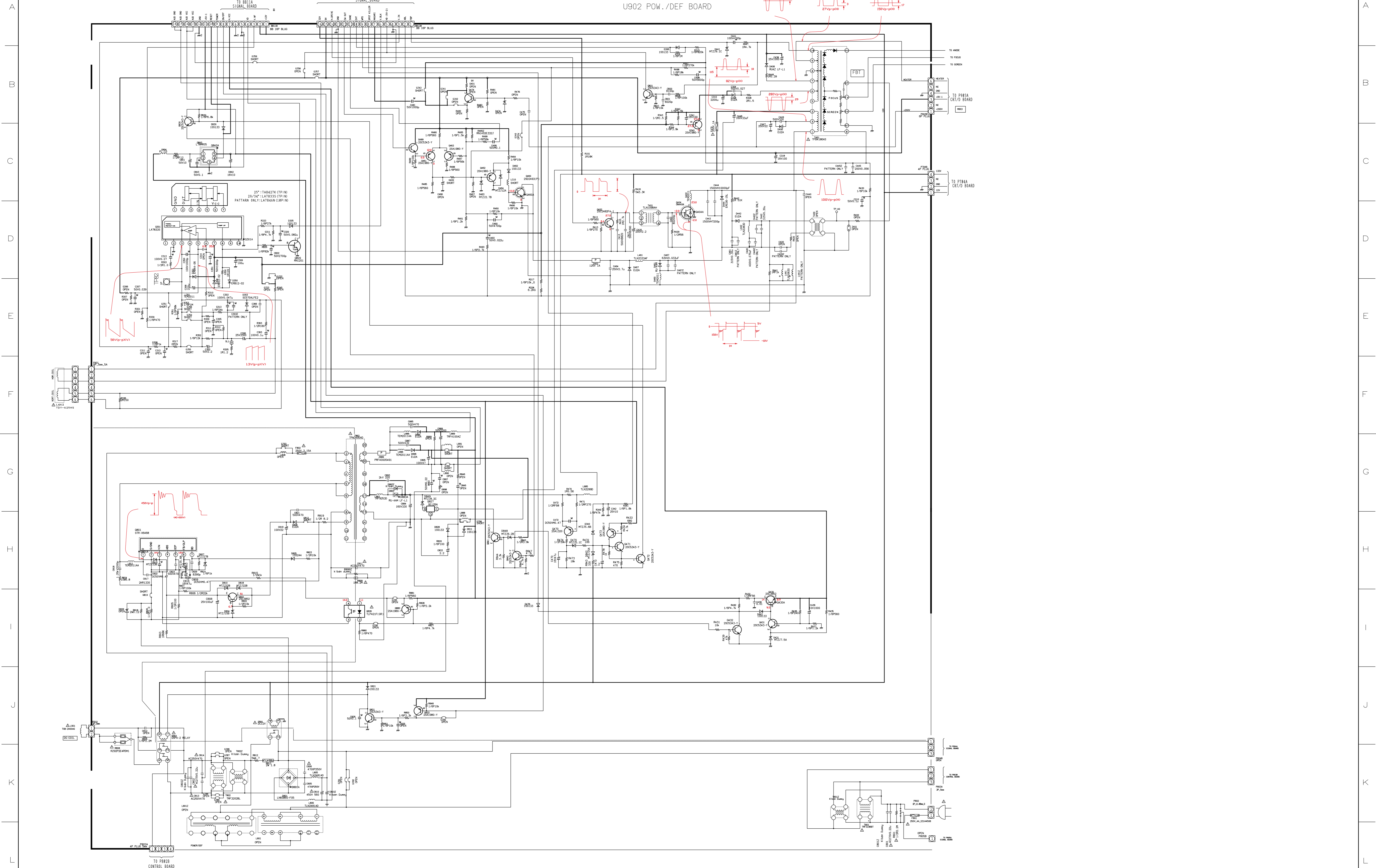
4

5

6

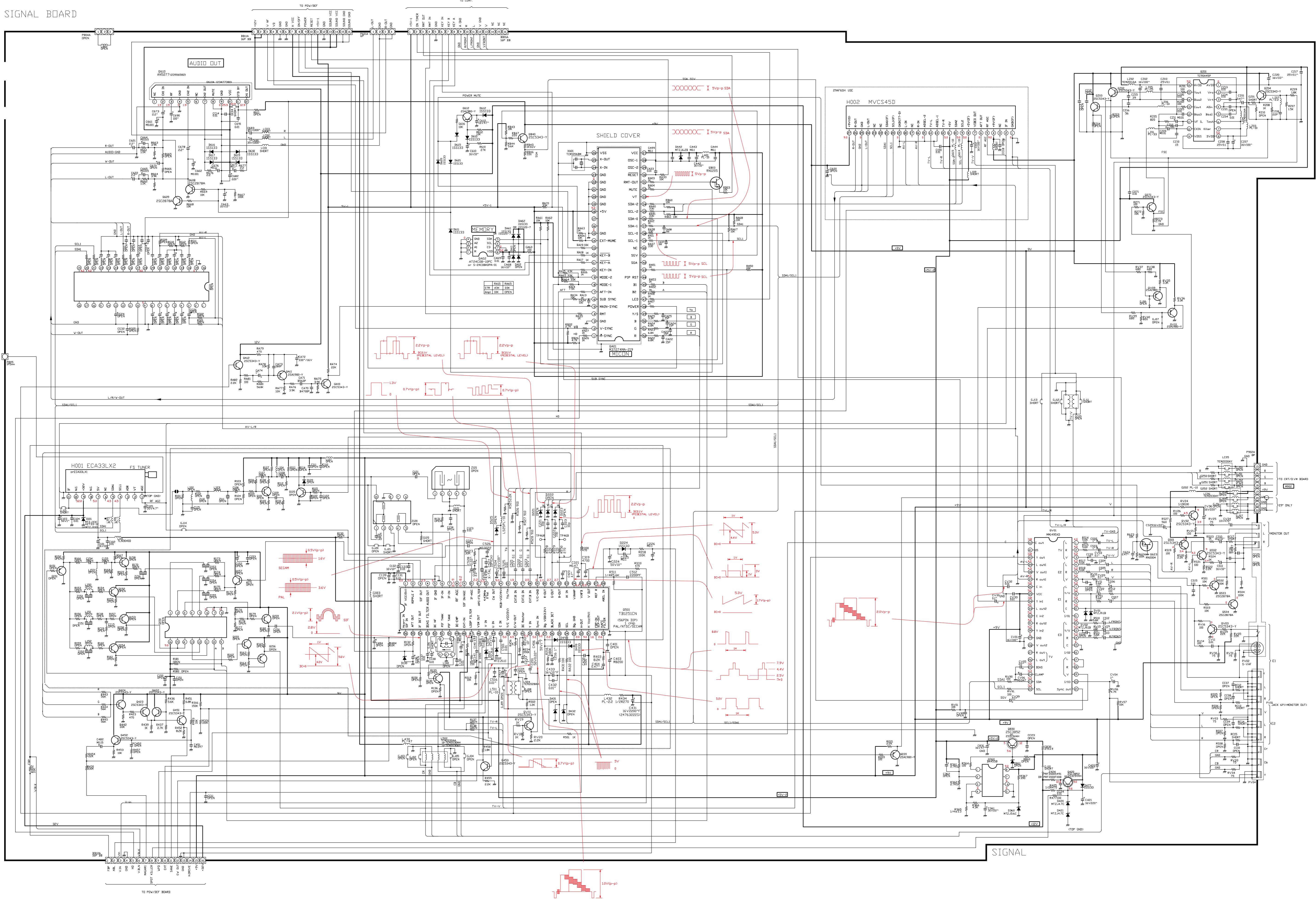
7

8



U902 POW./DEF BOARD

SIGNAL BOARD



SIGNAL

SIGNAL
25AF6SH